

Project:

Type:

Quantity:

Note:

SKU#: TRI - 05P -     -     - 30K

## Description

An LED edge-lit panel inside a compact stainless steel form allows the Tria Pendant to deliver superior illumination.

## Features

- Stamped stainless steel housing
- Includes 72" of black insulated cables
- Fixture can be custom ordered with longer length suspension cable
- Replaceable light source
- Driver located in canopy housing
- Damp location rated

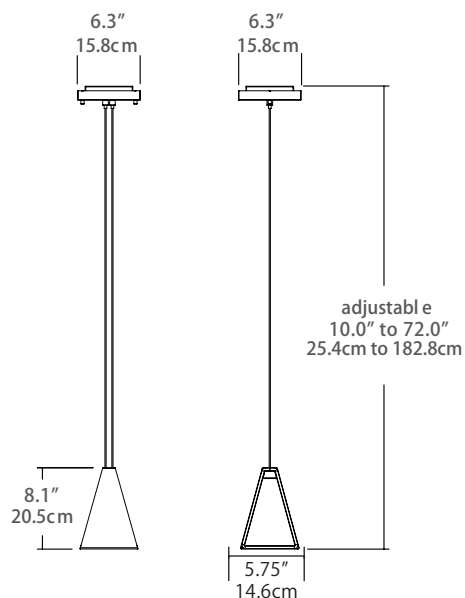
## Specifications

- Color Rendering Index: 90 CRI
- LED color temperature: 3000K
- Input Voltage: 120 VAC 50/60Hz
- Wattage: 7w
- Delivered lumens: 321lm
- Dimming: TRIAC dimmable
- Fixture weight: 4.1 lb. (1.9 kg)

- For recommended dimmers and downloadable IES & LM 79 files, see [blackjacklighting.com](http://blackjacklighting.com)

## Custom

- Optional upgrade: 120-277V input driver with universal dimming



## ORDERING GUIDE

Family	Size/Type	Finish
<b>TRI</b>	<b>05P</b>	<b>PC Polished Chrome</b> <b>WH White</b>
	05P 5" Pendant	

## CUSTOM OPTIONS

Volts/Dimming	Color Temp.
<b>12T</b>	<b>30K</b>
12T 120VAC, Triac dimming	30K 3000K
27U 120-277VAC, Universal Dimming	
(12T Standard)	(30K Standard)

Example: TRI-05P-PC-12T-30K