

Project:

Type:

Quantity:

Note:

SKU#: STL -     -     - 27U -    

## Description

Comprised of two, three or four Steelos Square Modules, our pre-configured designs in Polished Chrome and Matte Black are sold complete with all necessary hardware. Field adjustments are fast and easy. Grippers eliminate the need for cutting and splicing. Cables can be adjusted and re-adjusted as needed.

## Features

- Black faceplate or Polished Chrome faceplate (with a Black housing)
- Square system comes with the joiner and spacer kits for proper alignment of modules and to allow electrical and dimming connections between modules
- Powder coated paint finishes
- No cutting of cord required
- Adjustable grippers allow easy cord height adjustment

## Specifications

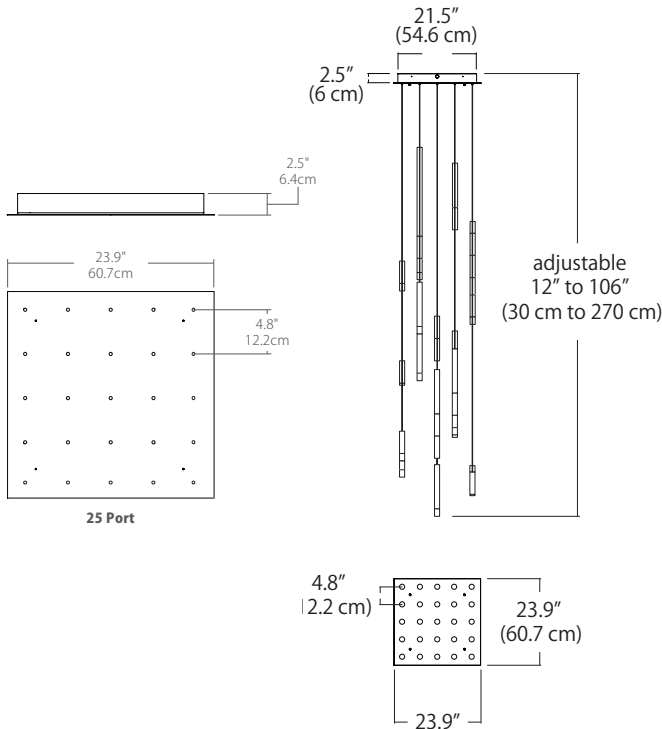
- Color Rendering Index: 90CRI
- Color Temperature: 30K (standard)
- Input Voltage: 120-277VAC 50/60Hz
- Wattage: 66W – 200W (depends on system)
- Dimming: TRIAC / ELV / 0–10V
- For recommended dimmers, see <http://blackjacklighting.com>

## Options

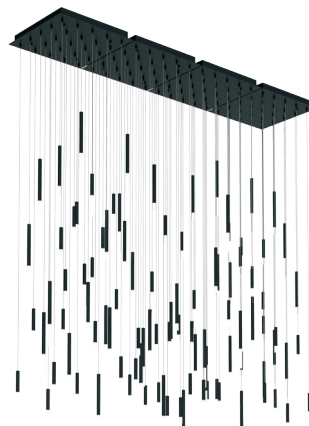
- Upgradeable to 2700K, 3500K, or 40000K/ 90 CRI



## Dimensions



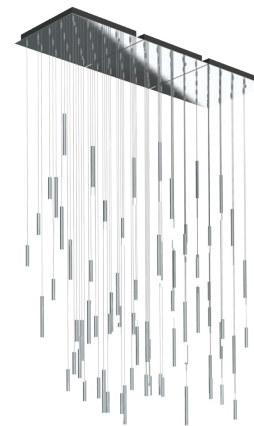
## Examples



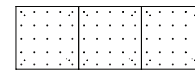
STL-96P-BL-27U-30K



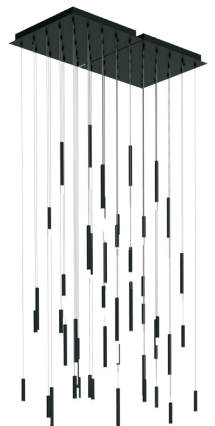
96P 2' x 8' Linear



STL-72P-PC-27U-30K



72P 2' x 6' Linear



STL-48P-BL-27U-30K



48P 2' x 4' Linear

## ORDERING GUIDE

System	Size	Finish	Volts/Dimming	Color Temperature
STL	48P 2' x 4' Linear 72P 2' x 6' Linear 96P 2' x 8' Linear	PC Polished Chrome BL Matte Black	27U 120–277VAC Universal Dimming	30K 3000K 35K 3500K 40K 4000K (30K Standard)

Example: STL-48P-PC-27U-30K