

Project:

Type:

Quantity:

Note:

SKU#: SWL - 23P - SN - 27U - 30K

Description

Winner of three major design awards, patented Swirl Pendant exemplifies Blackjack's luminous form approach to LED lighting. Available in three sizes

Features

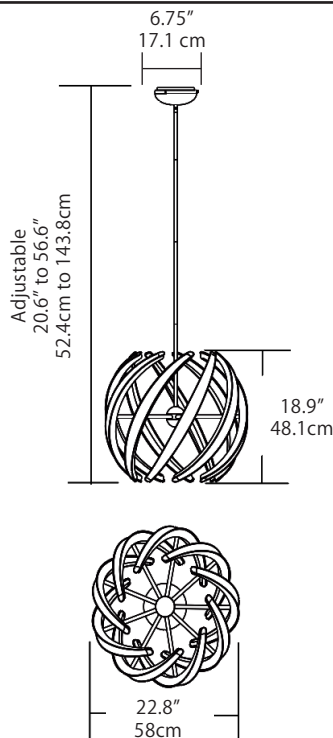
- Stamped and fabricated steel construction with Satin Nickel finish
- Diffused illumination evenly fills the room with light
- Includes 42" length adjustable stem kit and 12' wire length
- Fixture can accept up to four additional stem sections* for a maximum stem length of 11'6"
- Replaceable light source
- Driver located in canopy housing
- Hang straight swivel attaches to top of stem
- Damp location rated

Specifications

- Color Rendering Index: 90 CRI
- LED color temperature: 3000K
- Input Voltage: 120 VAC 50/60Hz
- Wattage: 42w
- Delivered lumens: 3577lm
- Dimming: TRIAC , ELV or 0-10V dimmable
- Fixture weight: 13.2 lb. (6 kg)
- For recommended dimmers and downloadable IES & LM 79 files, see blackjacklighting.com

Custom

- Consult ordering guide below for custom options



ORDERING GUIDE

Family	Size/Type	Finish
SWL	23P	SN
23P 23" Pendant SN Satin Nickel		

Example: SWL-23P-SN-27U-30K

CUSTOM OPTIONS

Volts/Dimming	Color Temp.
27U	30K
27U 120-277VAC, Universal Dimming	30K 3000K

(27U Standard)

(30K Standard)

OPTIONAL ACCESSORIES

24" Additional Stem*
Model No: 92001-24 (Satin Nickel)

Sloped Ceiling Swivel (0-90 degrees)
Model No: 92004-SN (Satin Nickel)