

Project:

Model No: STL-38P-__-27U-30K

Type:

Quantity:

Product Description

Available in two finish colors, Steelos Pendants are available as shown. These "ready-made" collections offer a less expensive, out-of-the-box option to our Custom Seraph Fixtures and Custom Seraph Systems.

Design

- Available in Polished Chrome with matching cord and Matte Black with Black cord
- Includes hanging decorative tubes each suspended from a slim coaxial cable adjustable up to 144"
- Cutting and splicing not required, so cables can be adjusted and re-adjusted time and again
- 1" tube
- Replaceable light source

Light

- LED color temperature: 3000K
- Color Rendering Index: 90 CRI

Controls

- 120-277VAC input
- Universal Dimming

Recommended TRIAC dimmers:

LUTRON: SKYLARK SCL-153P, DIVA DVCL-153P, ARIADNI AYCL-153P
LEVITON: DECORA DSL06 or DSM10, ILLUMATECH IPL06, SURESLIDE 6674

LEGRAND-ADORNE: WHISPER ADWR, SOFTTAP ADTP, TOUCH ADTH

Available In Two Finishes

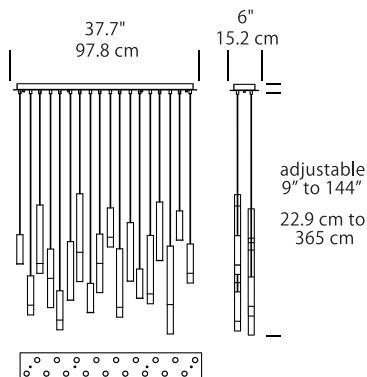


38" STEELOS LINEAR PENDANT (18 LIGHT)

Model No: STL-38P-PC-27U-30K
(Polished Chrome)

Model No: STL-38P-BL-27U-30K
(Matte Black)

Fixture Wattage: 30 Watts
 Fixture Output: 1948 Lumens



**CUTTING
SPLICING
NOT
REQUIRED**

tel: (847) 941-0588
 fax: (847) 306-3432
 email: sales@blackjacklighting.com
Blackjacklighting.com