

Project:

**Model No: SER-24P-\_\_-\_\_**

Type:

Quantity:

## Product Description

The 24" Seraph Square pendant accepts 25 of our newest Seraph styles, including the Short Frosted light guides (in photos). The 24" square stamped metal housing fits snugly against the sides of other 24" Seraph Squares. The design possibilities are endless.

## Light

- LED color temperature: 2700K
- Color Rendering Index: 90 CRI
- 4000K available as an upgrade

## Design

- Available in two finishes, Polished Chrome and Matte Black
- Seraph square pendant can be used as a single fixture or aligned with others to create patterns or even fill an entire ceiling with magical LED light
- 12' standard cord lengths
- No cutting of cord required
- adjustable grippers allow easy cord height adjustment

## Controls

- Universal Voltage 120V- 277V AC 50/60 Hz input
- Instant on/off; dimmable with 0-10v dimmer

### 24" Seraph Square Pendant (25 Light)

**Model No: SER-24P-PC-**   \*\*  
(Polished Chrome/ Light Guide)

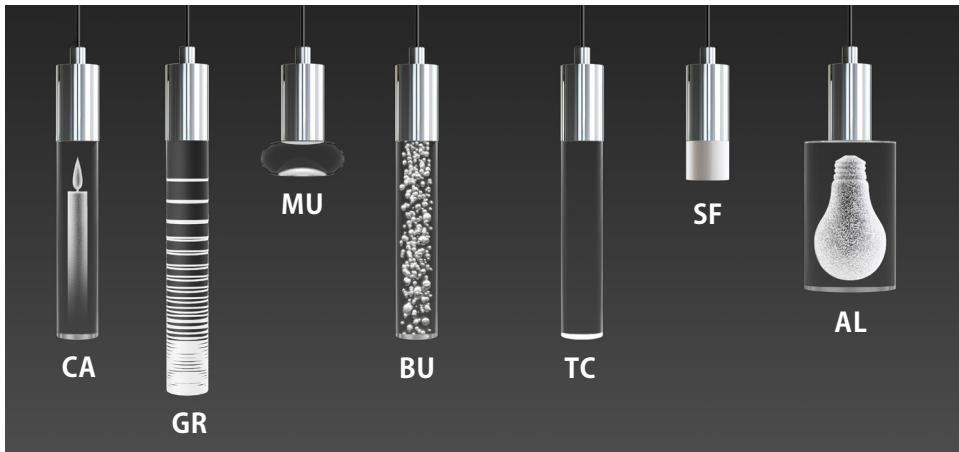
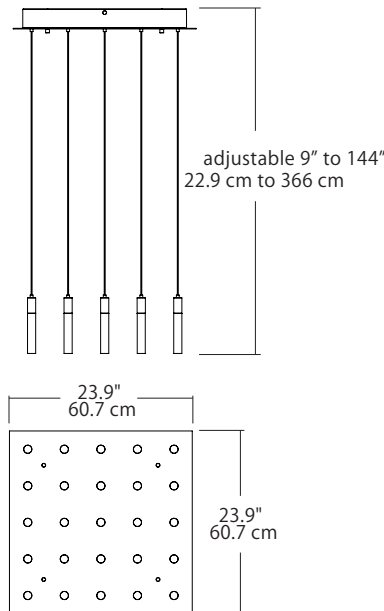
**Model No: SER-24P-BL-**   \*\*  
(Matte Black/ Light Guide)

Fixture Wattage: 37W  
Fixture output: 2050 lumens



### Ordering options \*\*

Light Guides	Polished Chrome	Matte Black
A-Lamp	SER-24P-PC-AL	SER-24P-BL-AL
Bubble	SER-24P-PC-BU	SER-24P-BL-BU
Candle	SER-24P-PC-CA	SER-24P-BL-CA
Clear	SER-24P-PC-TC	SER-24P-BL-TC
Gradient	SER-24P-PC-GR	SER-24P-BL-GR
Mushroom	SER-24P-PC-MU	SER-24P-BL-MU
Short	SER-24P-PC-SF	SER-24P-BL-SF



tel: (847) 941-0588  
fax: (847) 306-3432  
email: [sales@blackjacklighting.com](mailto:sales@blackjacklighting.com)  
[Blackjacklighting.com](http://Blackjacklighting.com)