

**Project:**

**Note:**

**Type:**

**Quantity:**

**Model#:** MQ - \_ - \_ - \_ - \_ - \_ - \_ - \_ - \_ - \_ -

**Description**

Comprised of two or more multi-port 24" square modules, our pre-configured Quatro Modular System is sold complete with all necessary hardware and your choice of Multi-port Pendant.  
The Quatro System makes it easy to create custom looks. Select a pattern below, or come up with your own design. Field adjustments are fast and easy; grippers eliminate the need for cutting and splicing. Cables can be adjusted and re-adjusted as needed.

**Features**

- Black or Polished Chrome faceplate (with a black housing), White faceplate (with white housing)
- Square system comes with the joiner and spacer kits for proper alignment of modules and to allow electrical and dimming connections between modules
- Powder coated paint finishes
- No cutting of cord required
- Adjustable grippers allow easy cord height adjustment.

**Specifications**

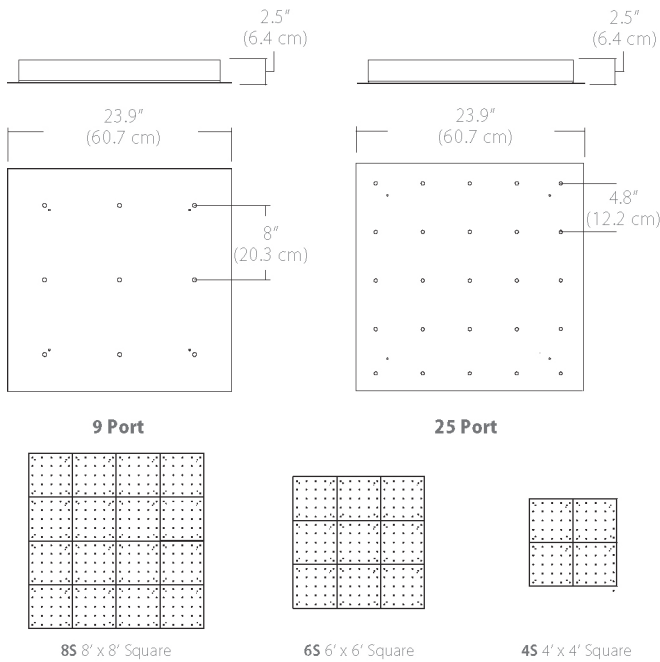
- Color Rendering Index: 90CRI
- Dimming: TRIAC / ELV / 0-10V Dimmable
- 96" standard cord lengths
- For recommended dimmers see <http://blackjacklighting.com>

**Options**

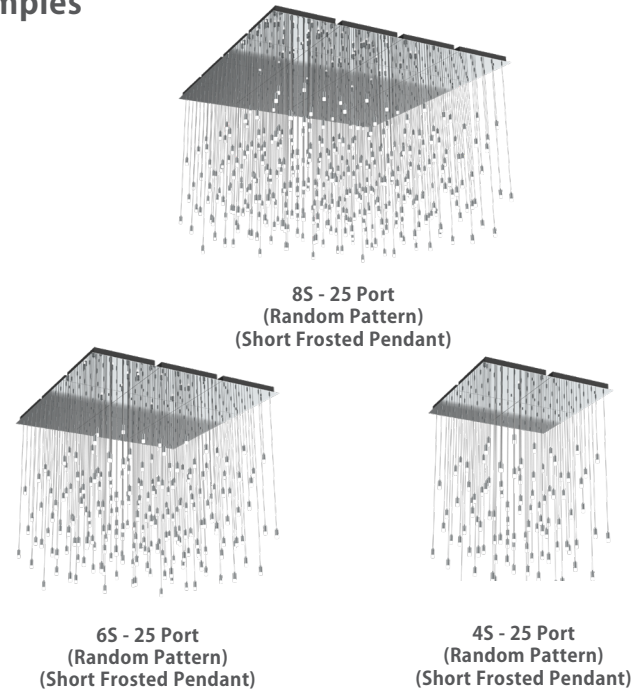
- Upgradeable to 2700K, 3500K, or 4000K / 90 CRI
- Special order powder coat face plate finishes (with black housing): BZ - Bronze, SG - Satin Gold or SS - Satin Silver
- Configuration Options: See page 2
- Pendant Options: See pages 3 and 4 for pendant choices and ordering code
- Driver Options: See pages 5, 6, and 7
- Longer cable lengths available



**Dimensions**



**Examples**



**ORDERING GUIDE**

System	Canopy	Finish	Pendant	Configuration	Pattern	Color Temp.	Cable Length	Power Supply
MQ	-	-	-	-	-	-	-	-
<b>MQ</b> Quatro Modular System	<b>2409</b> 24"/ 9 Ports <b>2425</b> 24"/ 25 Ports <b>24CS</b> 24" Customer Specification	<b>Standard</b> BL Matte Black PC Polished Chrome WH White <b>Spec. Order</b> BZ Bronze SG Satin Gold SS Satin Silver <b>Custom</b> CS Customer Specification	<b>LGDSF</b> Short Frosted Lightguide  Other pendants available - see following pages 3 and 4 for options and ordering code	4L 4' x 2' Linear 4S 4' x 4' Square 6L 6' x 2' Linear 6S 6' x 6' Square 8L 8' x 2' Square 8S 8' x 8' Square CS Customer Specification	R Random L Level S Stepped P Pyramid W Wave Y Do it yourself Z Customer Specification	27K 2700K 30K 3000K 35K 3500K 40K 4000K  (30K Standard)	96" (standard) (or specify custom length)	<b>Universal</b> Integral (standard) (Leave blank for standard option)  R Remote <b>Custom</b> C Customer Selection (consult factory)
<b>Example:</b> MQ-2425-BL-LGDSF-8S-R-30K								

(For Customer Specification please specify detail in attached notes)

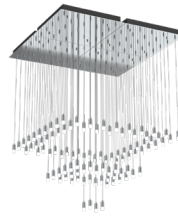
**4S - 4' Square**



**9 Port**  
**(8" Clear Glass Sphere)**  
**(Random Pattern)**



**25 Port**  
**(Short Frosted)**  
**(Level Pattern)**

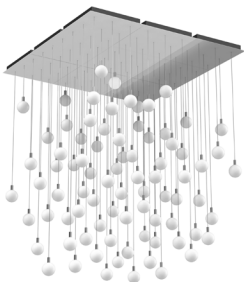


**25 Port**  
**(Short Frosted)**  
**(Stepped Pattern)**

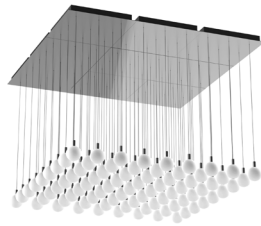


**25 Port**  
**(Short Frosted)**  
**(Pyramid Pattern)**

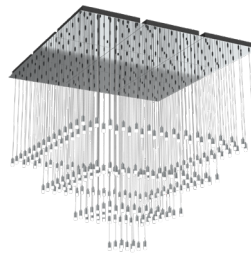
**6S - 6' Square**



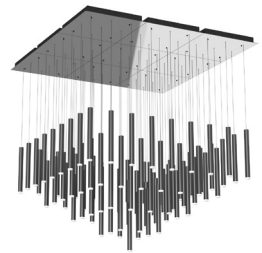
**9 Port**  
**(5" White Globe)**  
**(Random Pattern)**



**9 Port**  
**(5" White Globe)**  
**(Level Pattern)**

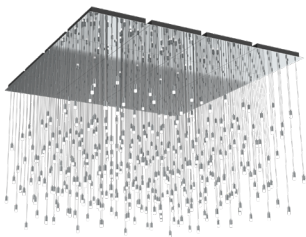


**25 Port**  
**(Short Frosted)**  
**(Stepped Pattern)**

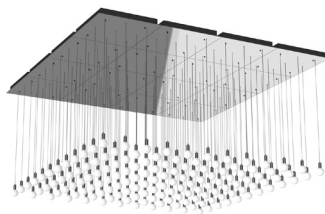


**9 Port**  
**(Novo Tall w/ Luminous Ring)**  
**(Pyramid Pattern)**

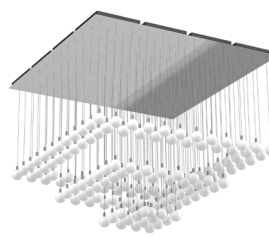
**8S - 8' Square**



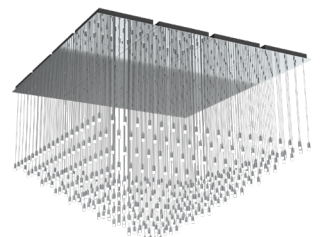
**25 Port**  
**(Short Frosted)**  
**(Random Pattern)**



**9 Port**  
**(3" Frosted Globe)**  
**(Level Pattern)**



**9 Port**  
**(5" White Globe)**  
**(Stepped Pattern)**



**25 Port**  
**(Short Frosted)**  
**(Pyramid Pattern)**

For full product specifications and ordering information, see <http://blackjacklighting.com>

**LIGHT GUIDE - 2W / 87 LM**

**SHORT FROSTED LIGHT GUIDE**  
**LGD SF 01**

**TALL CLEAR LIGHT GUIDE**  
**LGD TC 01**

**TALL FROSTED LIGHT GUIDE**  
**LGD TF 01**

**BUBBLE LIGHT GUIDE**  
**LGD BU 01**

**CANDLE LIGHT GUIDE**  
**LGD CA 01**

**A-LAMP LIGHT GUIDE**  
**LGD AL 03**

**GRADIENT LIGHT GUIDE**  
**LGD GR 01**

**MUSHROOM LIGHT GUIDE**  
**LGD MU 01**

**3" ACRYLIC GLOBE - 2W / 87 LM**

**FROSTED ACRYLIC 3" GLOBE**  
**GLS FR 03**

**CLEAR ACRYLIC 3" GLOBE**  
**GLS CL 03**

**BUBBLE ACRYLIC 3" GLOBE**  
**GLS BU 03**

**3" GLASS GLOBE - 2W / 147 LM**

**WHITE GLASS 3" GLOBE**  
**GGG WH 03**

**5" GLASS GLOBE - 3W / 238 LM**

**WHITE GLASS 5" GLOBE**  
**GGL WH 05**

**5" ACRYLIC GLOBE - 5W / 368 LM**

**CLEAR ACRYLIC 5" GLOBE**  
**GLL CL 05**

**NOVO TALL - 5W / 368 LM**

**NOVO TALL REFLECTOR RING**  
**NVT RR 02**

**NOVO TALL LUMINOUS RING**  
**NVT LR 02**

**NOVO TALL FROSTED DIFFUSER**  
**NVT FR 02**

**NOVO TALL BUBBLE DIFFUSER**  
**NVT BU 02**

**TALL CONE - 3W / 204 LM**

**TALL CONE LUMINOUS RING**  
**COT LR 01**

**SHORT CONE - 5W / 397 LM**

**SHORT CONE REFLECTOR RING**  
**COS RR 01**

**NOVO SHORT - 5W / 368 LM**

**NOVO SHORT REFLECTOR RING**  
**NVS RR 02**

**NOVO SHORT LUMINOUS RING**  
**NVS LR 02**

**NOVO SHORT FROSTED DIFFUSER**  
**NVS FR 02**

**NOVO SHORT BUBBLE DIFFUSER**  
**NVS BU 02**

**24" & 36" NOVO - 5W / 368 LM**

**24" NOVO with LUMINOUS RING\***  
**NV2 LR 02**

**36" NOVO w/LUMINOUS RING\***  
**NV3 LR 02**

\* (Can be used with any Novo Tall or Novo Short diffuser)

For full product specifications and ordering information, see <http://blackjacklighting.com>

**8" GLASS SPHERE - 2W / 87 LM**



**12" GLASS SPHERE - 5W / 368 LM**



**5" VELO - 2W / 87 LM**



**4" BULLET - 2W / 87 LM**



**8" BULLET - 5W / 368 LM**



**COLOR GEL - 2W / 87 LM**



**10" PILLBOX - 12W 680 LM**



**16" DOMOS - 12W - 680 LM**

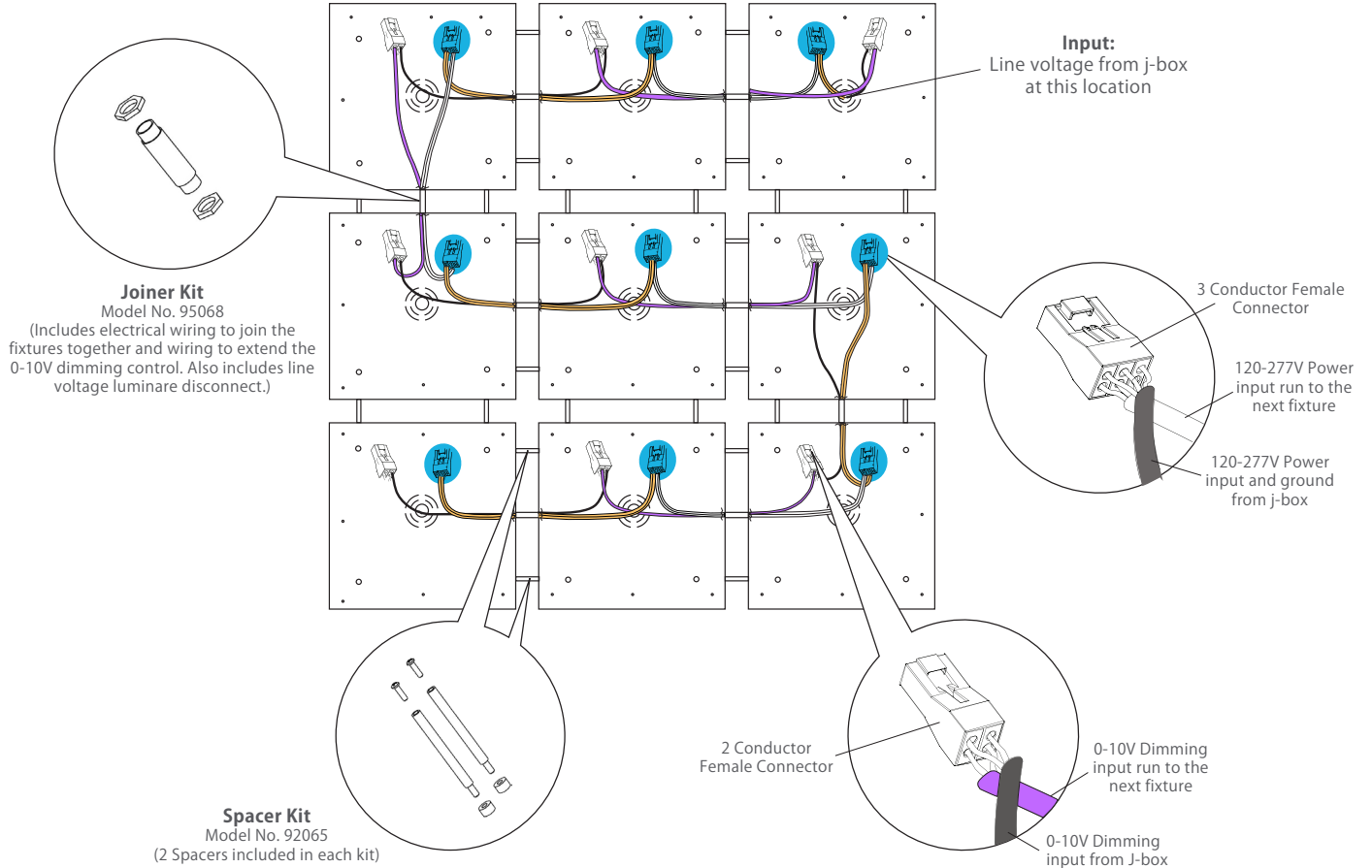


## Fixture Wiring Example (6S Configuration/ Integral Driver)

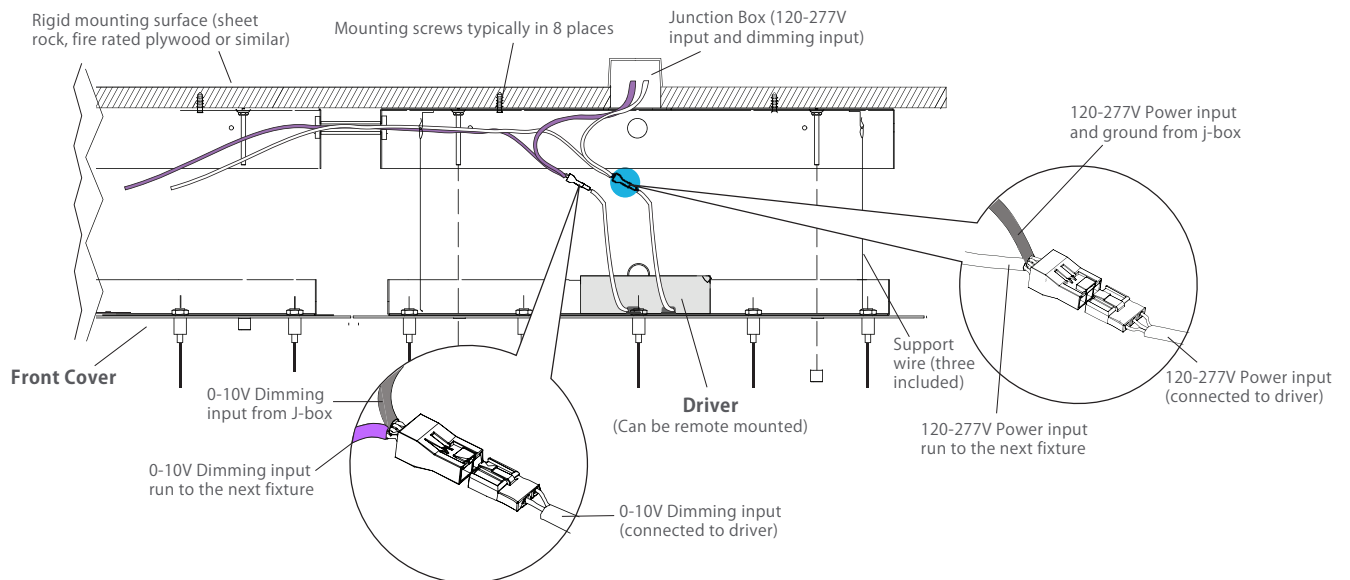
For custom configuration contact BlackJack Lighting.

Illustrations are for reference only.

### Bottom view with front covers removed



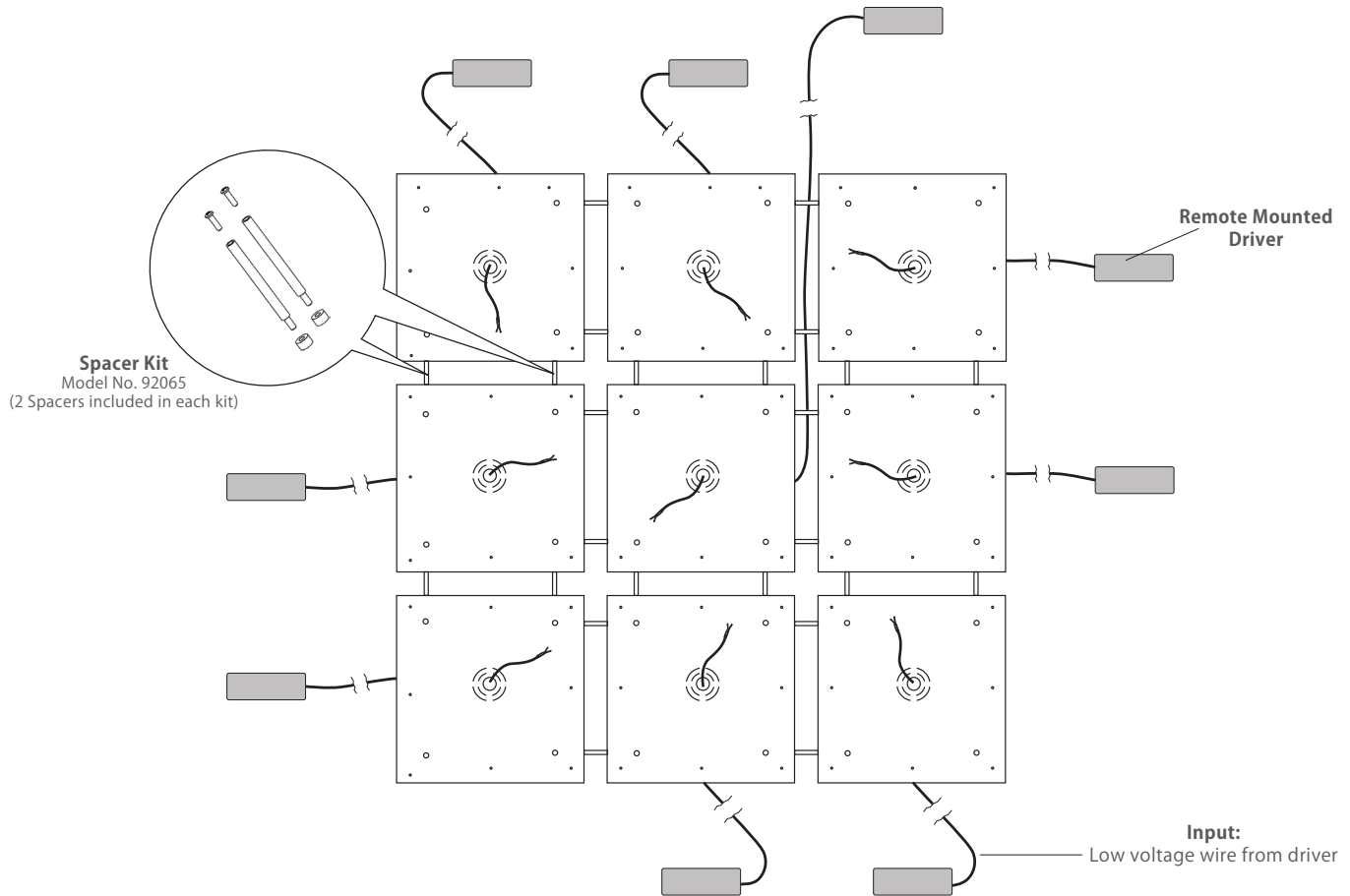
### Section Through Fixture (before final attachment)



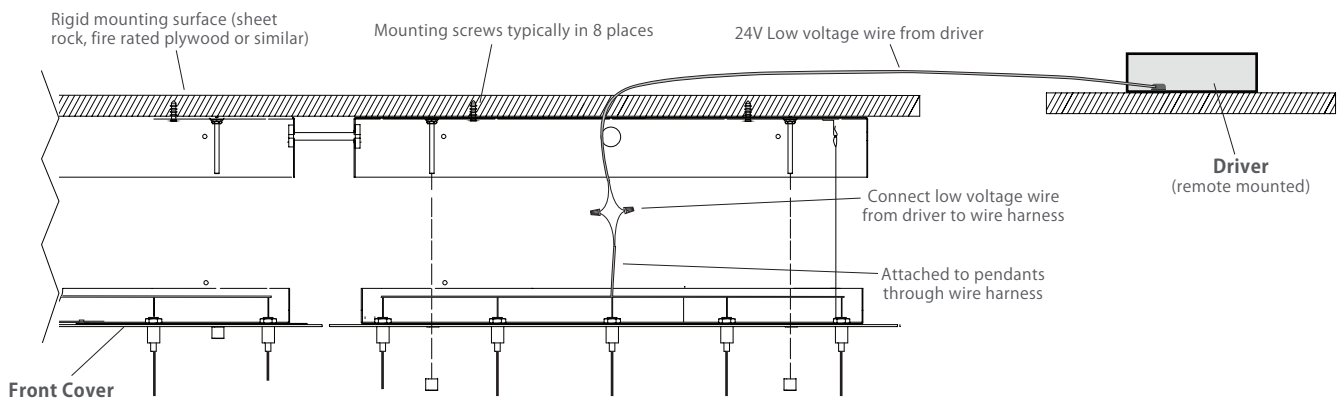
## Fixture Wiring Example (6S Configuration/ Remote Driver)

For custom configuration contact BlackJack Lighting.  
Illustrations are for reference only.

Bottom view with front covers removed



Section Through Fixture (before final attachment)



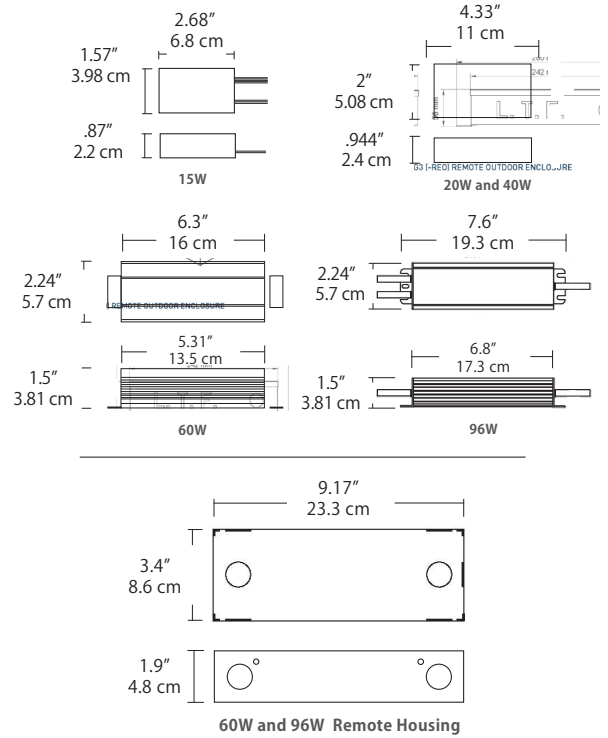
For more details and ordering information, consult factory

## I. Universal Drivers

Universal dimmable (TRIAC, ELV or 0-10V), Flicker-free dimming 100% to 2% (with optimal configuration), auto reset, short circuit, overload and thermal protection



SKU	Watts	Output Volts	Input Volts	Mounting	Comments
PS-94ST-15W-27U-IN	15W	24V	120V - 277V	- Integral	(27U)
PS-94ST-20W-27U-IN	20W	24V	120V - 277V	- Integral	(27U)
PS-94ST-49W-27U-IN	40W	24V	100V - 305V	- Integral	(27U)
PS-94ST-60W-27U-IN	60W	24V	120V - 277V	- Integral	(27U)
PS-94ST-96W-27U-IN	96W	24V	120V - 277V	- Integral	(27U)
PS-94ST-60W-27U-RE	60W	24V	120V - 277V	- Remote	(27U)
PS-94ST-96W-27U-RE	96W	24V	120V - 277V	- Remote	(27U)

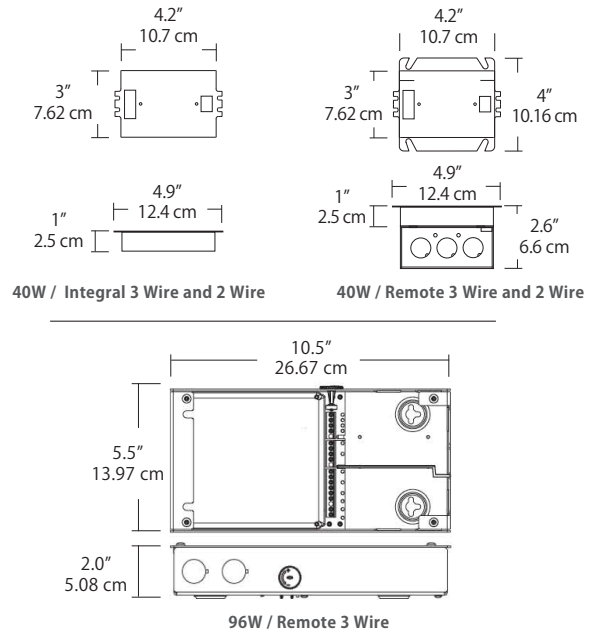


## II. LUTRON Hi-Lume Drivers

Continuous flicker-free dimming, auto reset, short circuit, overload and thermal protection  
Compatible with most Lutron dimming control systems



Watts	Output Volts	Input Volts	Mounting	Comments
40W	24V	120V - 277V	- Integral	3 Wire (27E) Dims 100% - 1%
40W	24V	120V	- Integral	2 Wire (12T) Dims 100% - 1%
40W	24V	120V - 277V	- Remote	3 Wire (27E) Dims 100% - 1%
40W	24V	120V	- Remote	2 Wire (12T) Dims 100% - 1%
96W	24V	120V - 277V	- Remote	3 Wire (27E) Dims 100% - 1%



## ORDERING GUIDE

### Category

PS

PS Power Supply

### Type

94ST Standard (Universal)  
94LT Lutron  
94CS Customer Specification

### Watts

20W 20 Watts  
40W 40 Watts  
60W 60 Watts  
96W 96 Watts

### Dimming

12T 120V TRIAC Dimming  
27U 120-277V / Universal  
Dimming (TRIAC / ELV / 0-10V)  
27E 120-277V / Lutron EcoSystem

### Mounting

IN Integral  
RE Remote

Example: PS-94ST-96W-27U-RE