

Project:

Type:

Quantity:

Note:

SKU#: QDR - 11P - PC - - 30K

Description

Practical and powerful, this pendant has a slim profile that's interesting from any angle. This pendant provides a wide spread even distribution below.

Features

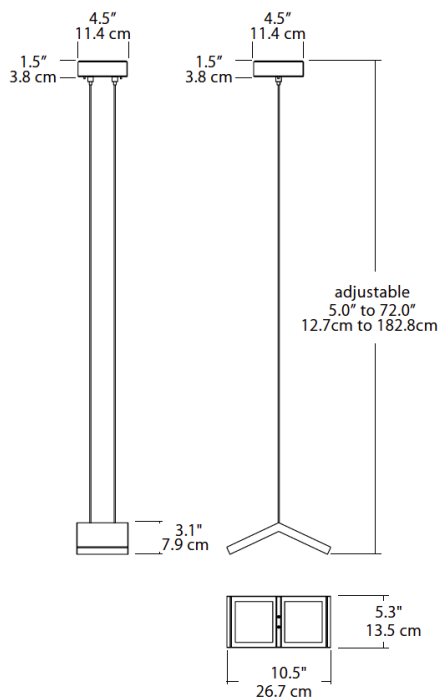
- Extraordinary light output from a single, compact pendant
- Two suspension cables precisely hold the fixture in any desired orientation and prevent twisting and turning
- Replaceable light source
- Driver located in canopy housing
- Damp location rated

Specifications

- Color Rendering Index: 90 CRI
- LED color temperature: 3000K
- Input Voltage: 120 VAC 50/60Hz
- Wattage: 18w
- Delivered lumens: 865lm
- Dimming: TRIAC dimmable
- Fixture weight: 3.8 lb. (1.74kg)
- For recommended dimmers and downloadable IES & LM 79 files, see blackjacklighting.com

Custom

- Optional upgrade: 120-277V input driver with universal dimming



ORDERING GUIDE

Family	Size/Type	Finish
QDR	11P	PC
11P 11" Pendant PC Polished Chrome		

Example: QDR-11P-PC-12T-30K

CUSTOM OPTIONS

Volts/Dimming	Color Temp.
12T	30K
12T 120VAC, Triac dimming	30K 3000K
27U 120-277VAC, Universal Dimming	
(12T Standard)	(30K Standard)