

Project:

Type:

Quantity:

Note:

SKU#: PSM - 437 - SN - 27U -

Description

Prism is a modern, geometric execution of the traditional chandelier. Optical acrylic forms are cut on sharp angles to provide visual excitement and provide pleasing ambient LED up- and down-light throughout a space. Available in a variety of horizontal and vertical sizes.

Features

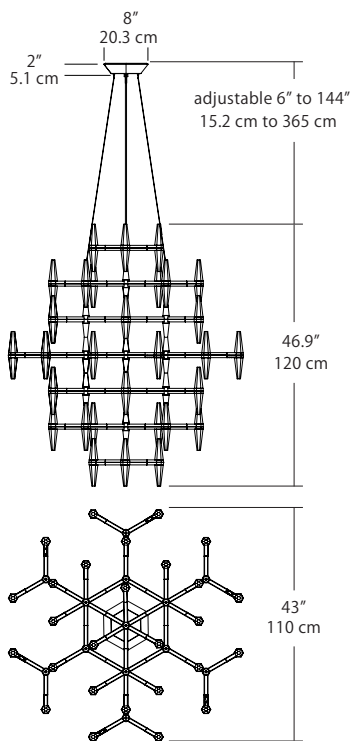
- Available in Satin Nickel finish
- Faceted frosted acrylic light guides
- Includes 12' electrical and suspension wire length
- Replaceable light sources
- Driver located in canopy housing
- Damp location rated

Specifications

- Color Rendering Index: 90 CRI
- LED color temperature: 3000K
- Input Voltage: 120-277VAC 50/60Hz
- Wattage: 84w
- Delivered lumens: 4900lm
- Dimming: TRIAC, ELV or 0-10V dimmable
- Fixture weight: 40lbs
- For recommended dimmers and downloadable IES & LM 79 files, see blackjacklighting.com

Custom

- Upgradable to 4000K LED color temperature



ORDERING GUIDE

Family	Size/Type	Finish
PSM	437	SN
437 43" Seven Tier SN Satin Nickel		

Example: PSM-437-SN-27U-30K

CUSTOM OPTIONS

Volts/Dimming	Color Temp.
27U	30K
27U 120-277VAC, Universal Dimming	30K 3000K 40K 4000K

27U Standard

30K Standard