

Project:

Type:

Quantity:

Note:

SKU#: PSM - 431 - SN - 27U -

Description

Prism is a modern, geometric execution of the traditional chandelier. Optical acrylic forms are cut on sharp angles to provide visual excitement and provide pleasing ambient LED up- and down-light throughout a space. Available in a variety of horizontal and vertical sizes.

Features

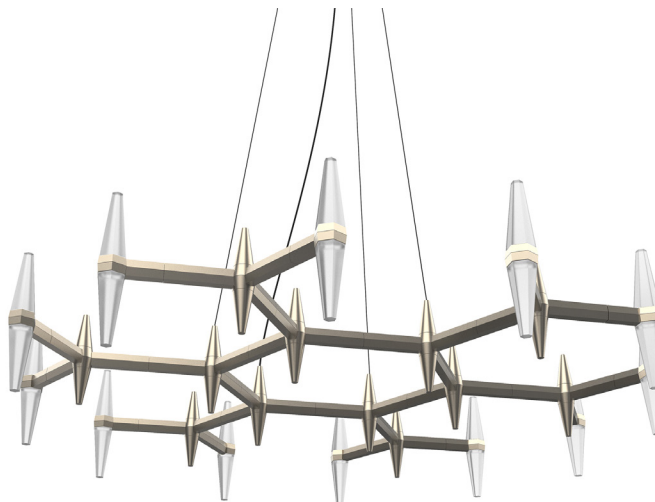
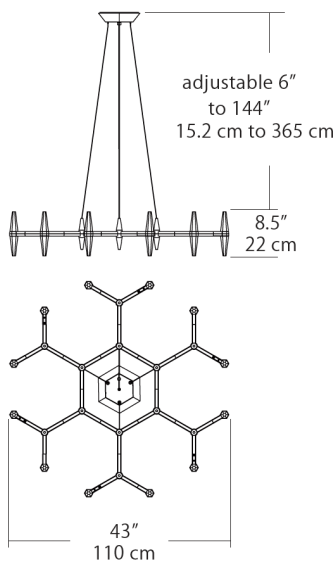
- Available in Satin Nickel finish
- Faceted frosted acrylic light guides
- PSM-281 Includes a 42" length adjustable stem kit and 12' electrical wire length
- All other pendants include 12' of aircraft suspension wire and 12' of electrical wire
- Replaceable light sources
- Driver located in canopy housing
- Damp location rated

Specifications

- Color Rendering Index: 90 CRI
- LED color temperature: 3000K
- Input Voltage: 120-277VAC 50/60Hz
- Wattage: 24w
- Delivered lumens: 1400lm
- Dimming: TRIAC, ELV or 0-10V dimmable
- Fixture weight: **NEED WEIGHT**
- For downloadable IES & LM79 files see Blackjacklighting.com
- For recommended dimmers see Blackjacklighting.com

Custom

- Upgradable to 4000K LED color temperature



ORDERING GUIDE

Family	Size/Type	Finish
PSM	431	SN
431 43" Single Tier SN Satin Nickel		

Example: PSM-321-SN-27U-30K

CUSTOM OPTIONS

Volts/Dimming	Color Temp.
27U	30K
27U 120-277VAC, Universal Dimming	30K 3000K 40K 4000K

27U Standard

30K Standard