

Project:

Type:

Quantity:

Note:

SKU#: PSM - 325 - SN - 27U 30K

## Description

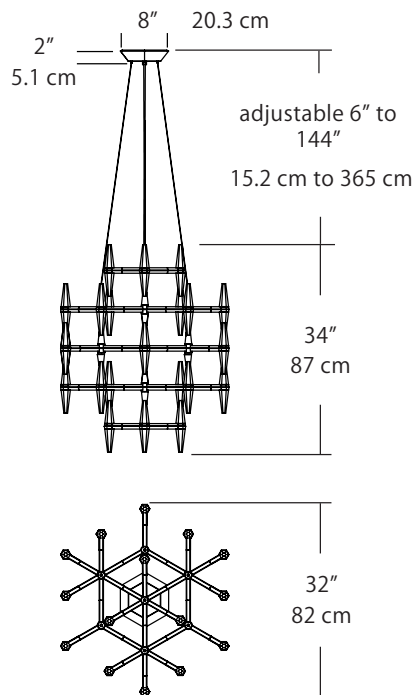
Prism is a modern, geometric execution of the traditional chandelier. Optical acrylic forms are cut on sharp angles to provide visual excitement and provide pleasing ambient LED up- and down-light throughout a space. Available in a variety of horizontal and vertical sizes.

## Features

- Available in Satin Nickel finish
- Faceted frosted acrylic light guides
- 12' of aircraft suspension cable and 12' of electrical wire
- Replaceable light sources
- Driver located in canopy housing
- Damp location rated

## Specifications

- Color Rendering Index: 90 CRI
- LED color temperature: 3000K
- Input Voltage: 120-277VAC 50/60Hz
- Wattage: 34W
- Delivered lumens: 2500Lm
- Dimming: TRIAC, ELV or 0-10V dimmable
- Fixture weight: 34.8lb (15.78kg)
- For recommended dimmers and downloadable IES & LM 79 files, see [blackjacklighting.com](http://blackjacklighting.com)



## ORDERING GUIDE

Family	Size/Type	Finish	Volts/Dimming	Color Temp.
<b>PSM</b>	<b>325</b>	<b>SN</b>	<b>27U</b>	<b>30K</b>
PSM Prism Chandelier	325 35" Three Tier	SN Satin Nickel	27U 120-277VAC, Universal Dimming	30K 3000K
			27U Standard	30K Standard

Example: PSM-283-SN-27U-30K