

Project:

Type:

Quantity:

Note:

SKU#: PSM - 323 - SN - 27U -

Description

Prism is a modern, geometric execution of the traditional chandelier. Optical acrylic forms are cut on sharp angles to provide visual excitement and provide pleasing ambient LED up- and down-light throughout a space. Available in a variety of horizontal and vertical sizes.

Features

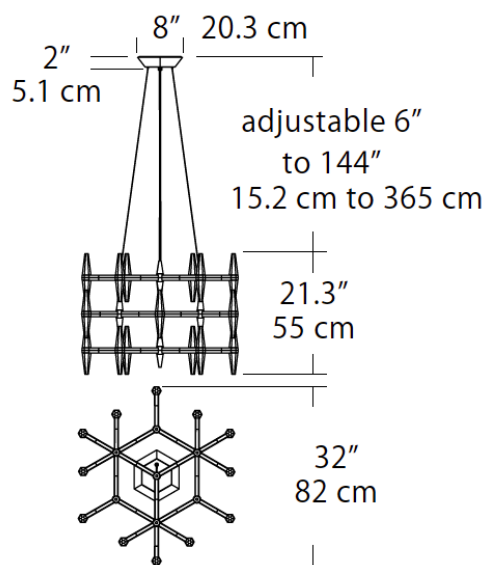
- Available in Satin Nickel finish
- Faceted frosted acrylic light guides
- PSM-323 includes 12' of aircraft suspension wire and 12' of electrical wire
- Replaceable light sources
- Driver located in canopy housing
- Damp location rated

Specifications

- Color Rendering Index: 90 CRI
 - LED color temperature: 3000K
 - Input Voltage: 120-277VAC 50/60Hz
 - Wattage: 36w
 - Delivered lumens: 2100lm
 - Dimming: TRIAC, ELV or 0-10V dimmable
 - Fixture weight: 19.6lb (8.8kg)
- For recommended dimmers and downloadable IES & LM 79 files, see blackjacklighting.com

Custom

- Upgradable to 4000K LED color temperature



ORDERING GUIDE

Family	Size/Type	Finish
PSM	323	SN
323 32" Three Tier SN Satin Nickel		

Example: PSM-323-PC-27U-30K

CUSTOM OPTIONS

Volts/Dimming	Color Temp.
27U	30K
27U 120-277VAC, Universal Dimming	30K 3000K 40K 4000K

(27U Standard)

(30K Standard)