

Project:

Type:

Quantity:

Note:

SKU#: PSM - 283 - SN - 27U - 30K

Description

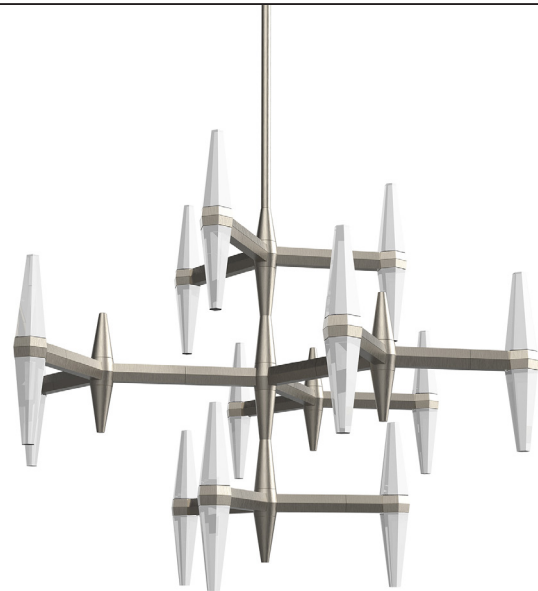
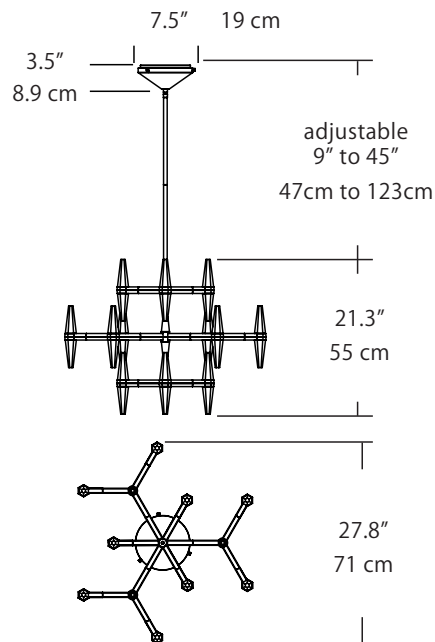
Prism is a modern, geometric execution of the traditional chandelier. Optical acrylic forms are cut on sharp angles to provide visual excitement and provide pleasing ambient LED up- and down-light throughout a space. Available in a variety of horizontal and vertical sizes.

Features

- Available in Satin Nickel finish
- Faceted frosted acrylic light guides
- Includes a 42" length adjustable stem kit and 12' electrical wire length
- 12' of aircraft suspension cable and 12' of electrical wire
- Replaceable light sources
- Driver located in canopy housing
- Damp location rated

Specifications

- Color Rendering Index: 90 CRI
- LED color temperature: 3000K
- Input Voltage: 120-277VAC 50/60Hz
- Wattage: 17W
- Delivered lumens: 1300Lm
- Dimming: TRIAC, ELV or 0-10V dimmable
- Fixture weight: 21lb (9.58kg)
- For downloadable IES & LM79 files and recommended dimmers see Blackjacklighting.com



ORDERING GUIDE

Family	Size/Type	Finish	Volts/Dimming	Color Temp.
PSM	283	SN	27U	30K
PSM Prism Chandelier	283 28" Three Tier	SN Satin Nickel	27U 120-277VAC, Universal Dimming	30K 3000K

Example: PSM-283-SN-27U-30K

27U Standard

30K Standard