

**Project:**

**Note:**

**Type:**

**Quantity:**

**Model#:** NAN - 14S -      -      -      -      - SO -     

**Description**

The Nano sconce represents extraordinary value. Super-efficient LED light sources inside minimal geometric forms illuminate the white frosted acrylic diffuser.

**Features**

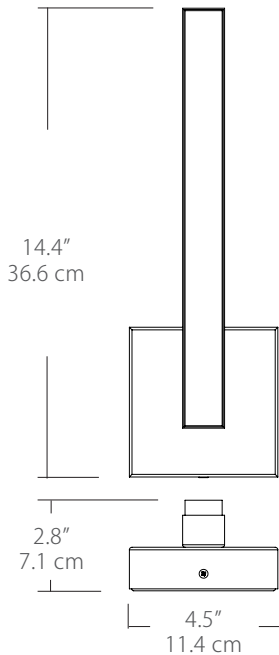
- Stamped Steel construction
- Frosted acrylic extruded diffuser
- Driver located in back plate
- Damp location rated
- JA8-2016 Listed

**Specifications (Standard)**

- Color Rendering Index: 90CRI
- LED Color Temperature: 3000K (standard)
- Input Voltage: 120VAC 50/60Hz
- Lamping: 10W
- Lumens: 520 lm (Lumens measured in 3000K)
- Fixture Weight: 2.3 lb. (1.1 kg))
- Dimming: TRIAC dimmable
- For recommended dimmers see <https://www.blackjacklighting.com/dimming-information>

**Options**

- Upgradable to 120-277V input driver with Universal Dimming (Only available with DB - Deep backplate or S4 - 4.6" Shallow backplate)
- Standard Finishes: PC - Polished Chrome or SN - Satin Nickel
- Special Order Powder Coat Finishes: BL - Matte Black, BZ - Bronze or SG - Satin Gold
- Color Temperature: 2700K, 3000K, 3500K or 4000K
- Backplate: DB - Deep backplate(Standard) , S4 - 4.6" Shallow backplate or S3 - 3.7" Shallow Backplate (120V driver only)



(Shown above with Standard DB Backplate)








**Shown Above:**  
NAN-14S-SN-12T-30K-SO-DB



**ORDERING GUIDE**

Family	Size	Finish	Volts/Dimming	Color Temp.	Output	Backplate
<b>NAN</b>	<b>14S</b>			<b>30K</b>	<b>SO</b>	
NAN Nano	14S 14" Sconce	<b>Standard</b> PC Polished Chrome SN Satin Nickel <b>Special Order</b> BL Matte Black BZ Bronze SG Satin Gold	<b>12T</b> 120VAC TRIAC Dimming <b>27U</b> 120-277VAC Universal Dimming (Only available with S4 and DB backplates)	<b>27K</b> 2700K <b>30K</b> 3000K <b>35K</b> 3500K <b>40K</b> 4000K  (30K Standard)	<b>SO</b> Standard Output	<b>DB</b> Deep Backplate (Standard) (Driver located in backplate) <b>S4</b> 4.6" Shallow Backplate (Driver located inside junction box) <b>S3</b> 3.9" Shallow Backplate (Driver located inside switch box) (120V Driver only)
<b>Example:</b> NAN-14S-BZ-12T-30K-SO-S4						

**Finishes**

<p><b>Finish</b></p> <div style="background-color: white; width: 20px; height: 20px; margin: 5px;"></div> <p>PC SN BL BZ SG</p>	 	  
	<p><b>PC - Polished Chrome</b>      <b>SN - Satin Nickel</b></p> <p>Standard Finishes</p>	<p><b>BL - Matte Black</b>      <b>BZ - Bronze</b>      <b>SG - Satin Gold</b></p> <p>Special Order Powder Coat Finishes</p>

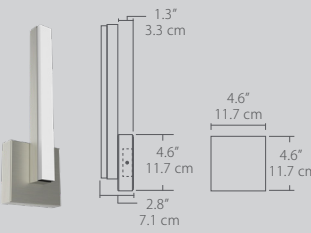
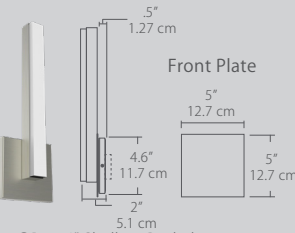
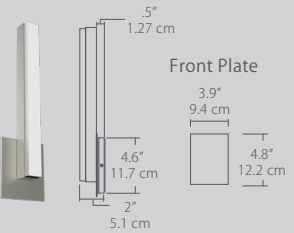
**Volts/Dimming**

<p><b>Volts/Dimming</b></p> <div style="background-color: white; width: 20px; height: 20px; margin: 5px;"></div> <p>12T 27U</p>	<p><b>12T:</b> Input: 120V , Dimming: TRIAC (Standard)</p> <p><b>27U:</b> Input: 120-277V , Dimming: TRIAC/ ELV/ 0-10V (Special Order) (Only available with DB - Deep backplate or S4 - 4.6" Shallow backplate )</p>
---	--

**Color Temperature**

<p><b>Color Temp.</b></p> <div style="background-color: white; width: 20px; height: 20px; margin: 5px;"></div> <p>27K 30K 35K 40K</p>	<p><b>27K - 2700K</b></p> <p><b>30K - 3000K (Standard)</b></p> <p><b>35K - 3500K</b></p> <p><b>40K - 4000K</b></p>
---	--

**Backplates**

<p><b>Backplates</b></p> <div style="background-color: white; width: 20px; height: 20px; margin: 5px;"></div> <p>DB S4 S3</p>	 <p><b>DB - Deep Backplate</b> (4.6" H, 4.6" W, .1.3" D) Driver located inside backplate <b>Standard Backplate</b></p>	 <p><b>S4 - 4.6" Shallow Backplate</b> (4.6" H, 4.6" W, .5" D) Driver located inside j-box <b>Special Order Backplate</b></p>	 <p><b>S3 - 3.9" Shallow Backplate</b> (4.6" H, 3.5" W, .5" D) Driver located inside j-box (This backplate requires a Narrow junction box with these approximate dimensions (4" H, 2.13" W, 1.7" D)) <b>Special Order Backplate</b></p>
---	---	---	--