

Project:

Note:

Type:

Quantity:

Model#: NAN - 14S - - - - - SO -

Description

The Nano sconce represents extraordinary value. Super-efficient LED light sources inside minimal geometric forms illuminate the white frosted acrylic diffuser.

Features

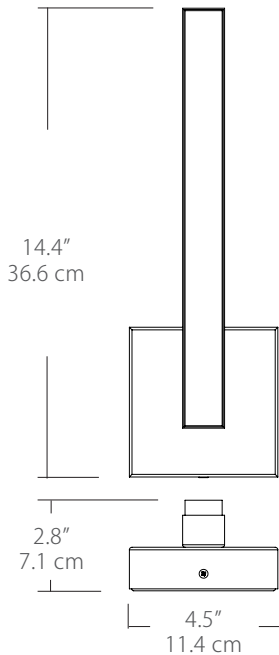
- Stamped Steel construction
- Frosted acrylic extruded diffuser
- Driver located in back plate
- Damp location rated
- JA8-2016 Listed

Specifications (Standard)

- Color Rendering Index: 90CRI
- LED Color Temperature: 3000K (standard)
- Input Voltage: 120VAC 50/60Hz
- Lamping: 10W
- Lumens: 520 lm (Lumens measured in 3000K)
- Fixture Weight: 2.3 lb. (1.1 kg))
- Dimming: TRIAC dimmable
- For recommended dimmers see <https://www.blackjacklighting.com/dimming-information>

Options

- Upgradable to 120-277V input driver with Universal Dimming (Only available with DB - Deep backplate or S4 - 4.6" Shallow backplate)
- Standard Finishes: PC - Polished Chrome or SN - Satin Nickel
- Special Order Powder Coat Finishes: BL - Matte Black, BZ - Bronze or SG - Satin Gold
- Color Temperature: 2700K, 3000K, 3500K or 4000K
- Backplate: DB - Deep backplate(Standard) , S4 - 4.6" Shallow backplate or S3 - 3.9" Shallow Backplate (120V driver only)



(Shown above with Standard DB Backplate)



Shown Above:
NAN-14S-SN-12T-30K-SO-DB








ORDERING GUIDE

Family	Size	Finish	Volts/Dimming	Color Temp.	Output	Backplate
NAN	14S			30K	SO	
NAN Nano	14S 14" Sconce	PC Polished Chrome SN Satin Nickel BL Matte Black BZ Bronze SG Satin Gold	12T 120VAC TRIAC Dimming 27U 120-277VAC Universal Dimming (Only available with S4 and DB backplates)	27K 2700K 30K 3000K 35K 3500K 40K 4000K (30K Standard)	SO Standard Output	DB Deep Backplate (Standard) (Driver located in backplate) S4 4.6" Shallow Backplate (Driver located inside junction box) S3 3.9" Shallow Backplate (Driver located inside switch box) (120V Driver only)

Example: NAN-14S-BZ-12T-30K-SO-S4

Finishes

Finish	Standard Finishes		Special Order Powder Coat Finishes		
PC					
SN					
BL					
BZ					
SG					

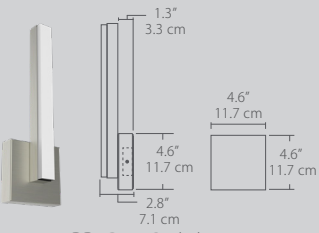
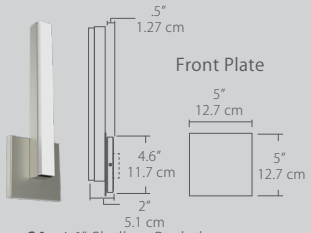
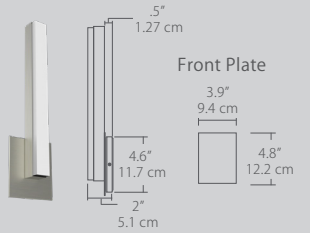
Volts/Dimming

Volts/Dimming	
12T	12T: Input: 120V , Dimming: TRIAC (Standard)
27U	27U: Input: 120-277V , Dimming: TRIAC/ ELV/ 0-10V (Special Order) (Only available with DB - Deep backplate or S4 - 4.6" Shallow backplate)

Color Temperature

Color Temp.	
27K	27K - 2700K
30K	30K - 3000K (Standard)
35K	35K - 3500K
40K	40K - 4000K

Backplates

Backplates	DB - Deep Backplate	S4 - 4.6" Shallow Backplate	S3 - 3.9" Shallow Backplate
DB			
S4			
S3			