

Project:

Note:

Type:

Quantity:

Model#: MLO - _____ **- SO** - _____

Description

A tubular frosted acrylic diffuser paired with a stamped steel backplate adds contemporary styling to any space.

Features

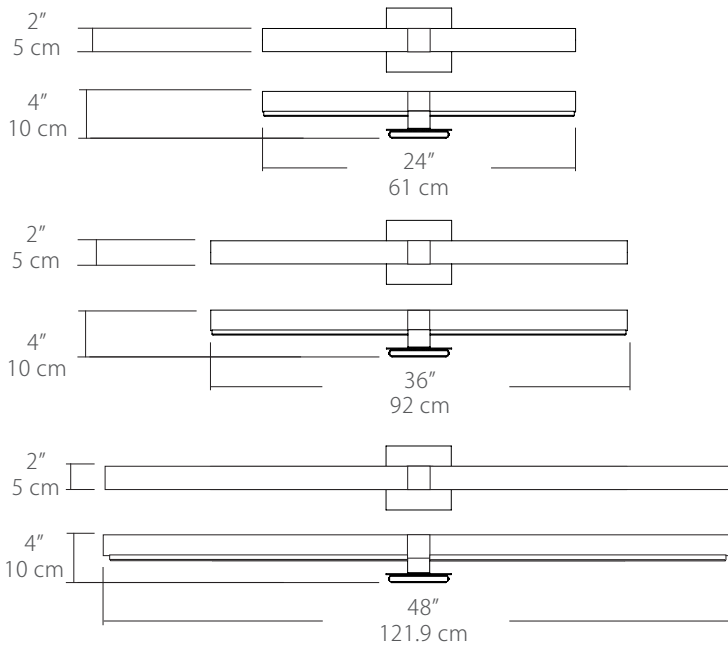
- Stamped Steel construction
- Frosted acrylic tube diffuser
- Driver located in junction box
- Damp location rated
- JAB-2016 Listed

Specifications (Standard)

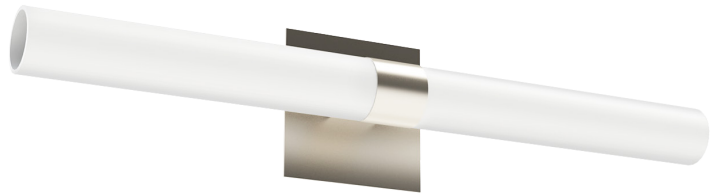
- Color Rendering Index: 90CRI
- LED Color Temperature: 3000K (standard)
- Input Voltage: 120VAC 50/60Hz
- Lamping: 24" - 22W, 36V - 21W, 48" - 34W
- Lumens: 24" - 1088lm, 36" - 1235lm, 48" - 2000lm (Lumens measured in 3000K)
- Fixture Weight: 24" - 1.9 lb. (.88 kg), 36" - 3.7 lb. (1.6 kg), 48" - 5.5 lb. (2.5 kg)
- Dimming: TRIAC dimmable
- For recommended dimmers see <https://www.blackjacklighting.com/dimming-information>

Options

- Upgradable to 120-277V input driver with Universal Dimming
- Standard Finish: SN - Satin Nickel
- Special Order Powder Coat Finishes: BZ - Bronze, SG - Satin Gold or BL - Matte Black
- Color Temperature: 2700K, 3000K, 3500K or 4000K
- Output: Reduced lumen output is available with special order. (Not available for 48")
- Backplate: S4 - 4.6" Shallow backplate or DB - Deep backplate (Not available for 48")



(Shown above with Standard S4 Backplate)



Shown Above:
MLO-24V-SN-12T-30K-SO-S4



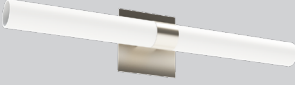
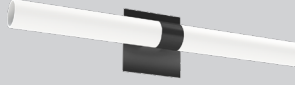
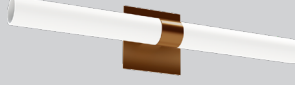

ORDERING GUIDE

Family	Size	Finish	Volts/Dimming	Color Temp.	Output	Backplate
MLO				30K		
MLO Milo	24V 24" Vanity 36V 36" Vanity 48V 48" Vanity	SN Satin Nickel BL Matte Black BZ Bronze SG Satin Gold	12T 120VAC TRIAC Dimming 27U 120-277VAC Universal Dimming	27K 2700K 30K 3000K 35K 3500K 40K 4000K	SO Standard Output	S4 4.6" Shallow Backplate (Driver located in the junction box) DB Deep Backplate (Driver located inside the backplate) (Not available for 48")

Example: MLO-24V-BZ-12T-30K-RO-DB

(30K Standard)

Finishes

<p>Finish</p> <div style="background-color: white; width: 20px; height: 20px; margin: 5px;"></div> <p>PC SN BZ SG</p>	 <p>SN - Satin Nickel</p>	 <p>BL - Matte Black</p>	 <p>BZ - Bronze</p>	 <p>SG - Satin Gold</p>
	<p>Standard Finish</p>		<p>Special Order Powder Coat Finishes</p>	

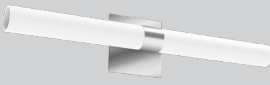
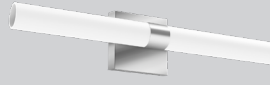
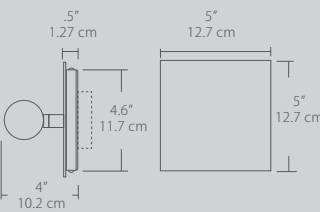
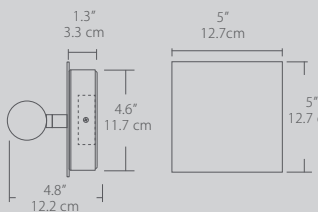
Volts/Dimming

<p>Volts/Dimming</p> <div style="background-color: white; width: 20px; height: 20px; margin: 5px;"></div> <p>12T 27U</p>	<p>12T: Input: 120V , Dimming: TRIAC (Standard)</p> <p>27U: Input: 120-277V , Dimming: TRIAC/ ELV/ 0-10V (Special Order)</p>
---	--

Color Temperature

<p>Color Temp.</p> <div style="background-color: white; width: 20px; height: 20px; margin: 5px;"></div> <p>27K 30K 35K 40K</p>	<p>27K - 2700K</p> <p>30K - 3000K (Standard)</p> <p>35K - 3500K</p> <p>40K - 4000K</p>
---	---

Backplates

<p>Backplates</p> <div style="background-color: white; width: 20px; height: 20px; margin: 5px;"></div> <p>S4 DB</p>	 <p>S4 - 4.6" Shallow Backplate (4.6" H, 4.6" W, .5" D) Driver located inside j-box Standard Backplate</p>	 <p>DB - Deep Backplate (4.6" H, 4.6" W, 1.3" D) Driver located inside backplate Special Order Backplate (Not available for 48" backplate)</p>
	 <p>Front Plate 5" 12.7 cm 5" 12.7 cm 4.6" 11.7 cm 4" 10.2 cm .5" 1.27 cm</p>	 <p>Front Plate 5" 12.7 cm 5" 12.7 cm 4.6" 11.7 cm 4.8" 12.2 cm 1.3" 3.3 cm</p>