

**Project:**

**Note:**

**Type:**

**Quantity:**

**Model#: MLO - 145 - - - - - SO - - - - -**

**Description**

A tubular frosted acrylic diffuser paired with a stamped steel backplate adds contemporary styling to any space.

**Features**

- Stamped Steel construction
- Frosted acrylic tube diffuser
- Driver located in junction box
- Damp location rated
- JA8-2016 Listed

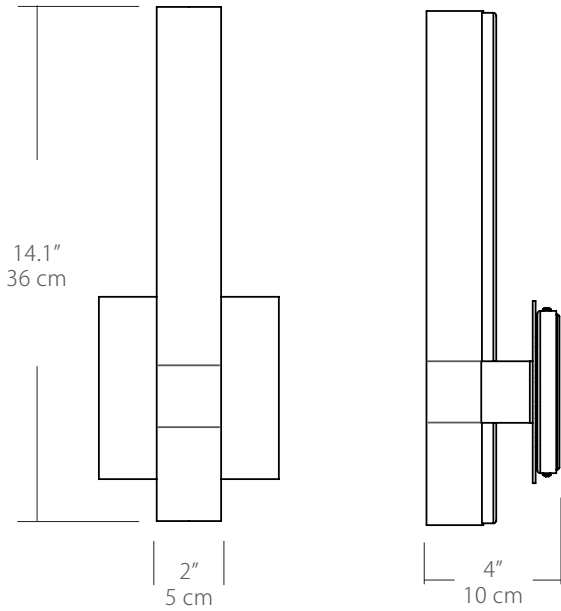


**Specifications (Standard)**

- Color Rendering Index: 90CRI
- LED Color Temperature: 3000K (standard)
- Input Voltage: 120VAC 50/60Hz
- Lamping: 13W
- Lumens: 625 lm (Lumens measured in 3000K)
- Fixture Weight: 1.9 lb. (.88 kg)
- Dimming: TRIAC dimmable
- For recommended dimmers see <https://www.blackjacklighting.com/dimming-information>

**Options**

- Upgradable to 120-277V input driver with Universal Dimming (Only available with S4 - 4.6" Shallow backplate or DB - Deep backplate)
- Standard Finish: SN - Satin Nickel
- Special Order Powder Coat Finishes: BL - Matte Black, BZ - Bronze or SG - Satin Gold
- Color Temperature: 2700K, 3000K, 3500K or 4000K
- Backplate: S4 - 4.6" Shallow backplate, DB - Deep backplate or S3 - 3.7" Shallow Backplate (120V driver only)



(Shown above with Standard S4 Backplate)



**Shown Above:**





MLO-145-SN-12T-30K-SO-S4



**ORDERING GUIDE**

Family	Size	Finish	Volts/Dimming	Color Temp.	Output	Backplate
MLO	145			30K		
MLO Milo	145 14" Sconce	SN Satin Nickel BL Matte Black BZ Bronze SG Satin Gold	12T 120VAC TRIAC Dimming 27U 120-277VAC Universal Dimming (Only available with S4 and DB backplates)	27K 2700K 30K 3000K 35K 3500K 40K 4000K	SO Standard Output	S4 4.6" Shallow Backplate (Driver located inside junction box) DB Deep Backplate (Driver located in backplate) S3 3.9" Shallow Backplate (Driver located in switch box) (120V Driver only)
Example: MLO-145-BZ-12T-30K-SO-DB				(30K Standard)		

**Finishes**

<p><b>Finish</b></p> <div style="background-color: #fff; width: 20px; height: 20px; margin: 5px 0;"></div> <p>SN</p> <p>BL</p> <p>BZ</p> <p>SG</p>	 <b>SN - Satin Nickel</b>	 <b>BL - Matte Black</b>	 <b>BZ - Bronze</b>	 <b>SG - Satin Gold</b>
	<p>Standard Finish</p>		<p>Special Order Powder Coat Finishes</p>	

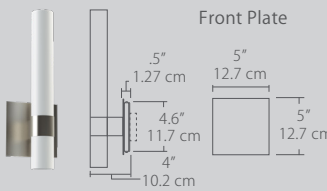
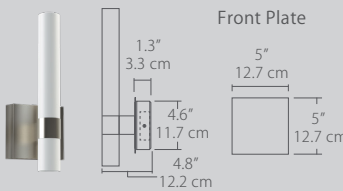
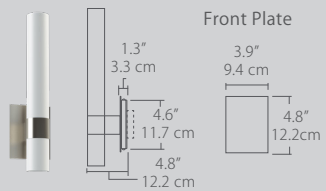
**Volts/Dimming**

<p><b>Volts/Dimming</b></p> <div style="background-color: #fff; width: 20px; height: 20px; margin: 5px 0;"></div> <p>12T</p> <p>27U</p>	<p><b>12T:</b> Input: 120V , Dimming: TRIAC (<b>Standard</b>)</p> <p><b>27U:</b> Input: 120-277V , Dimming: TRIAC/ ELV/ 0-10V (<b>Special Order</b>) (Only available with DB - Deep backplate or S4 - 4.6" Shallow backplate )</p>
---	--

**Color Temperature**

<p><b>Color Temp.</b></p> <div style="background-color: #fff; width: 20px; height: 20px; margin: 5px 0;"></div> <p>27K</p> <p>30K</p> <p>35K</p> <p>40K</p>	<p><b>27K - 2700K</b></p> <p><b>30K - 3000K (Standard)</b></p> <p><b>35K - 3500K</b></p> <p><b>40K - 4000K</b></p>
---	--

**Backplates**

<p><b>Backplates</b></p> <div style="background-color: #fff; width: 20px; height: 20px; margin: 5px 0;"></div> <p>S4</p> <p>DB</p> <p>S3</p>	 <b>S4 - Shallow 4.6" Backplate</b> (4.6"H, 4.6"W, .5"D) Driver located inside j-box <b>Standard Backplate</b>	 <b>DB - Deep Backplate</b> (4.6"H, 4.6"W, 1.3"D) Driver located inside backplate <b>Special Order Backplate</b>	 <b>S3 - 3.9" Shallow Backplate</b> (4.6"H, 3.5"W, .5"D) Driver located inside j-box (This backplate requires a Narrow junction box with these approximate dimensions (4"H, 2.13"W, 1.7"D)) <b>Special Order Backplate</b>
--	---	--	---