

Project:

Type:

Quantity:

Note:

SKU#: - - - - -

Features

- Black faceplate (with a Black housing) or White faceplate (with White housing)
- Canopy comes without pendants (ordered separately)
- When ordered with pendants, canopy ships with pendants assembled and pre-installed on canopy
- Fabricated steel construction
- Powder coated paint finishes
- Driver located above the canopy (for the rear mounted driver version)
- Damp location rated



Specifications

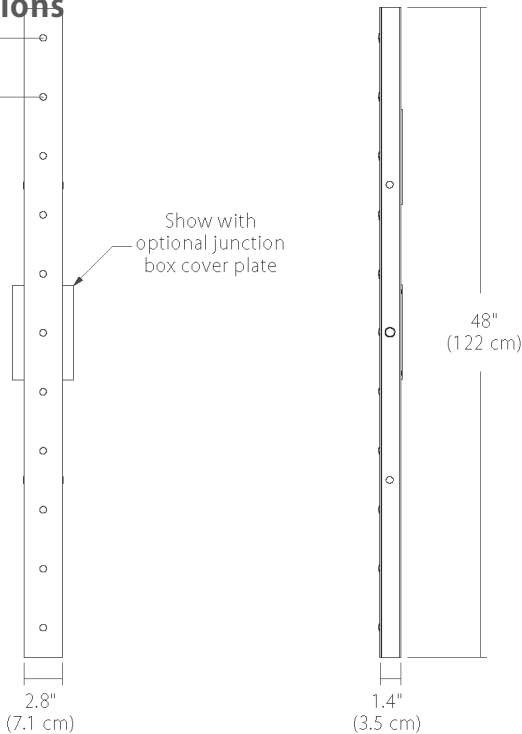
- Input Voltage: 120VAC 50/60Hz
- Dimming: TRIAC / ELV / 0-10V Dimmable
- For recommended dimmers, see <http://blackjacklighting.com>

Options

- Remote driver is standard (contact factory for driver options)
- Optional Lutron driver available
- Standard Finishes: Matte Black (w/Black housing) or White (w/White housing)
- Special Order Powder Coat Finishes (with black housing): BZ – Bronze, SG – Satin Gold, or SS – Satin Silver
- Optional rubber plugs available for unused ports

Dimensions

4.4"
(11.2 cm)



PENDANTS TO BE ORDERED SEPARATELY

ORDERING GUIDE

Family	Size/Type	Finish	Driver Location	Driver Watts
C-MPL	4811	BL Matte Black PC Polished Chrome	REM Remote Custom C Customer Selection (consult factory)	60W 20W 20 Watts - Integral 40W 40 Watts - Integral 60W 60 Watts - REM 90W 90 Watts - REM (Not available in Lutron Driver)

Example: C-MPL-4811-BL-REM-60W

WATTAGE GUIDE

Pendant Watts	Ports	Recommended Driver
2W	11 Ports	40W
5W	11 Ports	60W
12W	7 Ports Max.	96W

For other variations, see <http://blackjacklighting.com> or consult factory

Pendants available separately. For full specifications and ordering information, see <http://blackjacklighting.com>

LIGHT GUIDE - 2W / 87 LM

SHORT FROSTED LIGHT GUIDE
LGD SF 01

TALL CLEAR LIGHT GUIDE
LGD TC 01

TALL FROSTED LIGHT GUIDE
LGD TF 01

BUBBLE LIGHT GUIDE
LGD BU 01

CANDLE LIGHT GUIDE
LGD CA 01

A-LAMP LIGHT GUIDE
LGD AL 03

GRADIENT LIGHT GUIDE
LGD GR 01

MUSHROOM LIGHT GUIDE
LGD MU 01

3" ACRYLIC GLOBE - 2W / 87 LM

FROSTED ACRYLIC 3" GLOBE
GLS FR 03

CLEAR ACRYLIC 3" GLOBE
GLS CL 03

BUBBLE ACRYLIC 3" GLOBE
GLS BU 03

3" GLASS GLOBE - 2W / 147 LM

WHITE GLASS 3" GLOBE
GGS WH 03

5" GLASS GLOBE - 3W / 238 LM

WHITE GLASS 5" GLOBE
GGL WH 05

5" ACRYLIC GLOBE - 5W / 368 LM

CLEAR ACRYLIC 5" GLOBE
GLL CL 05

NOVO TALL - 5W / 368 LM

NOVO TALL REFLECTOR RING
NVT RR 02

NOVO TALL LUMINOUS RING
NVT LR 02

NOVO TALL FROSTED DIFFUSER
NVT FR 02

NOVO TALL BUBBLE DIFFUSER
NVT BU 02

TALL CONE - 3W / 133 LM

TALL CONE LUMINOUS RING
COT LR 01

SHORT CONE - 5W / 397 LM

SHORT CONE REFLECTOR RING
COS RR 01

NOVO SHORT - 5W / 368 LM

NOVO SHORT REFLECTOR RING
NVS RR 02

NOVO SHORT LUMINOUS RING
NVS LR 02

NOVO SHORT FROSTED DIFFUSER
NVS FR 02

NOVO SHORT BUBBLE DIFFUSER
NVS BU 02

24" & 36" NOVO - 5W / 368 LM

* (Can be used with any Novo Tall or Novo Short diffuser)

24" NOVO with LUMINOUS RING*
NV2 LR 02

36" NOVO w/LUMINOUS RING*
NV3 LR 02

Pendants available separately. For full specifications and ordering information, see <http://blackjacklighting.com>

8" GLASS SPHERE - 2W / 87 LM



12" GLASS SPHERE - 5W / 368 LM



5" VELO - 2W / 87 LM



4" BULLET - 2W / 87 LM



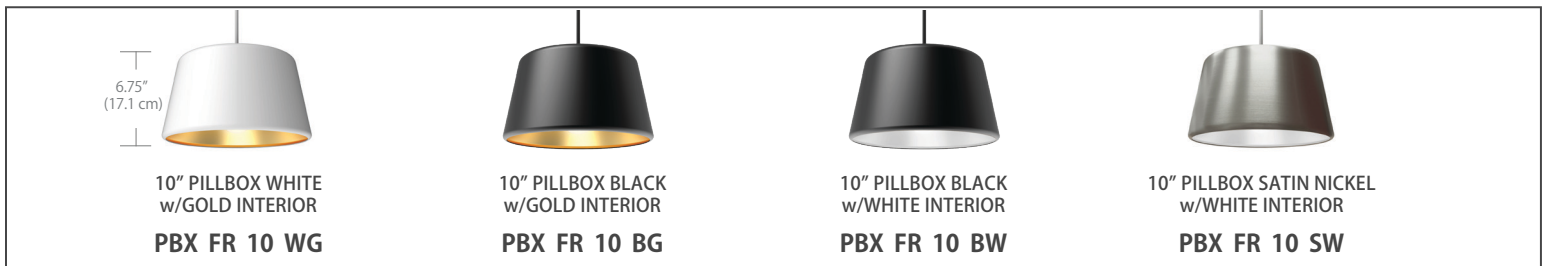
8" BULLET - 5W / 368 LM



COLOR GEL - 2W / 87 LM



10" PILLBOX - 12W 680 LM



16" DOMOS - 12W - 680 LM



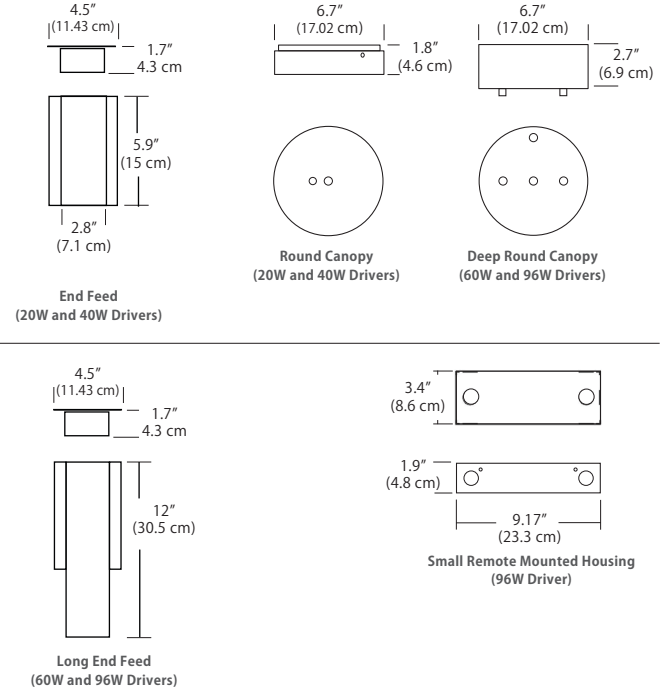
For more details and ordering information, consult factory.

I. Universal Driver



Universal dimmable (TRIAC, ELV or 0-10V), Flicker-free dimming 100% to 2% (with optimal configuration), auto reset, short circuit, overload and thermal protection

SKU	Watts	Output Volts	Input Volts	Mounting	Comments
PS-94ST-20W-27U-IN	20W	24V	120V - 277V	Integral	(27U)
PS-94ST-20W-27U-IC	20W	24V	120V - 277V	Inside Canopy	(27U)
PS-94ST-40W-27U-IN	40W	24V	100V - 305V	Integral	(27U)
PS-94ST-40W-27U-IC	40W	24V	120V - 277V	Inside Canopy	(27U)
PS-94ST-60W-27U-IN	60W	24V	120V - 277V	Integral	(27U)
PS-94ST-96W-27U-IN	96W	24V	120V - 277V	Integral	(27U)
PS-94ST-60W-27U-RE	60W	24V	120V - 277V	Remote	(27U)
PS-94ST-96W-27U-RE	96W	24V	120V - 277V	Remote	(27U)

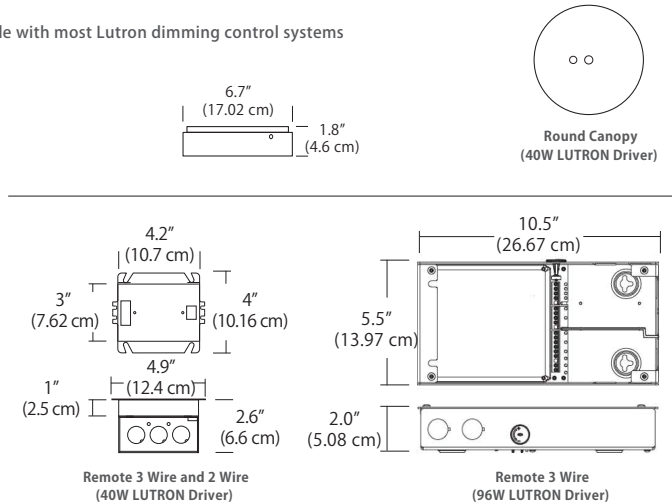


II. LUTRON Hi-Lume Drivers



Continuous flicker-free dimming, auto reset, short circuit, overload and thermal protection. Compatible with most Lutron dimming control systems

Watts	Output Volts	Input Volts	Mounting	Comments
40W	24V	120V - 277V	- Inside Canopy	3 Wire (27E) Dims 100% - 1%
40W	24V	120V	- Inside Canopy	2 Wire (12T) Dims 100% - 1%
40W	24V	120V - 277V	- Remote	3 Wire (27E) Dims 100% - 1%
40W	24V	120V	- Remote	2 Wire (12T) Dims 100% - 1%
96W	24V	120V - 277V	- Remote	3 Wire (27E) Dims 100% - 1%



DRIVER ORDERING GUIDE

Type



94SR Universal Driver in Remote Canopy
94ST Universal (Standard)
94LT Lutron
94CS Customer Specification

Watts



20W 20 Watts
40W 40 Watts
60W 60 Watts
96W 96 Watts

Dimming



12T TRIAC Dimming
27U 120-277V/ Universal Dimming (TRIAC / ELV / 0-10V)
27E 120-277V/ Lutron EcoSystem

Mounting



IN Integral
RE Remote
IC Inside Canopy

Example: 94ST-96W-27U-RE