

Project:

Type:

Quantity:

Note:

SKU#: MLO - - SN - - 30K

Description

A tubular frosted acrylic diffuser paired with a stamped steel back plate in Satin Nickel adds contemporary styling with a new fracture resistant diffuser and value-priced vanity and wall sconce.

Features

- Stamped Steel construction
- Frosted acrylic tube diffuser
- Driver behind back plate
- Damp location rated
- JA8-2016 Listed

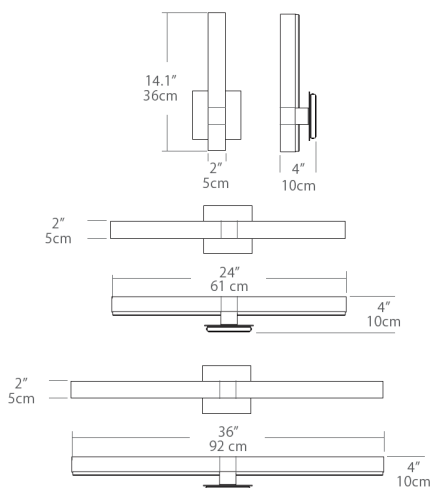
Specifications

- Color Rendering Index: 90 CRI
- LED color temperature: 3000K
- Input Voltage: 120 VAC 50/60Hz
- Wattage:
 - 14S": 11w
 - 24V": 21w
 - 36V": 30w
- Delivered lumens:
 - 14S": 910lm
 - 24V": 1600
 - 36V": 2500lm
- Dimming: TRIAC dimmable
- Fixture Weight:
 - 14S": 1.9 lb. (.88 kg)
 - 24V": 1.9 lb. (.88 kg)
 - 36V": 3.7lb. (1.6 kg)

• For recommended dimmers and downloadable IES & LM 79 files, see blackjacklighting.com

Custom

- Optional upgrade: 120-277V input driver with universal dimming (TRIAC/ ELV or 0-10V dimmable)



ORDERING GUIDE

Family	Size/Type	Finish
MLO	-	SN
	14S 14" Sconce	SN Satin Nickel
	24V 24" Vanity	
	36V 36" Vanity	

Example: EQS-11F-PC-12T-30K

CUSTOM OPTIONS

Volts/Dimming	Color Temp.
-	12T
	30K
12T 120VAC Triac Dimming	30K 3000K
27U 120-277VAC Universal Dimming	
(12T Standard)	(30K Standard)