

Project:

Note:

Type:

Quantity:

Model#: LIN - 24V - - - - - SO -

Description

A tubular frosted glass diffuser paired with a stamped steel back plate. The Lino Vanity adds contemporary styling to any space.

Features

- Stamped Steel construction
- Frosted glass tube diffuser
- Driver located behind back plate
- Damp location rated
- JAB-2016 Listed

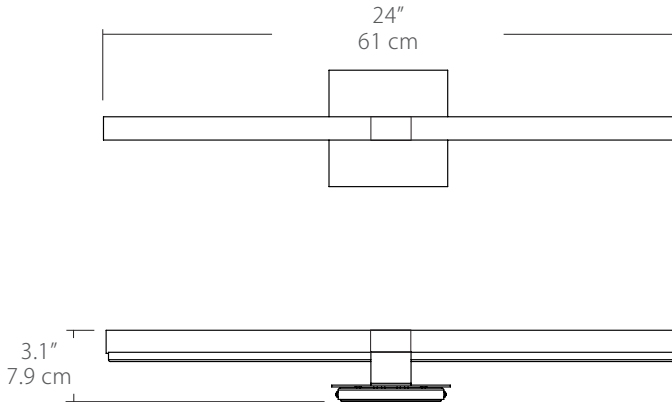


Specifications (Standard)

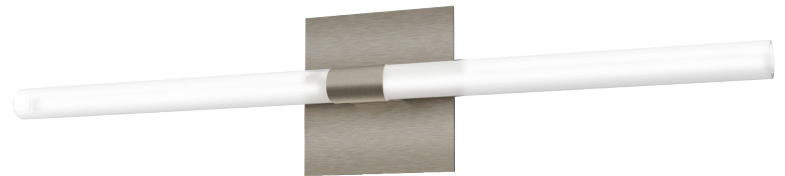
- Color Rendering Index: 90CRI
- LED Color Temperature: 3000K (standard)
- Input Voltage: 120VAC 50/60Hz
- Lamping: 22W
- Lumens: 1078lm (Lumens measured in 3000K)
- Fixture Weight: 2.4 lb. (1.1 kg)
- Dimming: TRIAC dimmable
- For recommended dimmers see <https://www.blackjacklighting.com/dimming-information>

Options

- Upgradable to 120-277V input driver with Universal Dimming
- Standard Finish: SN - Satin Nickel
- Special Order Powder Coat Finishes: BL - Matte Black, BZ - Bronze or SG - Satin Gold
- Color Temperature: 2700K, 3000K, 3500K or 4000K
- Output: Reduced lumen output is available with special order.
- Backplate: S4 - 4.6" Shallow backplate or DB - Deep backplate



(Shown above with Standard S4 Backplate)



Shown Above:
LIN-24V-SN-12T-30K-SO-S4





ORDERING GUIDE

Family	Size	Finish	Volts/Dimming	Color Temp.	Output	Backplate
LIN	24V			30K	SO	
LIN Lino	24V 24" Vanity	SN Satin Nickel BL Matte Black BZ Bronze SG Satin Gold	12T 120VAC TRIAC Dimming 27U 120-277VAC Universal Dimming	27K 2700K 30K 3000K 35K 3500K 40K 4000K	SO Standard Output	S4 4.6" Shallow Backplate (Driver located in junction box) DB Deep Backplate (Driver located inside backplate)

Example: LIN-24V-BZ-12T-30K-SO-DB

(30K Standard)

Finishes

Finish				
SN	SN - Satin Nickel	BL - Matte Black	BZ - Bronze	SG - Satin Gold
BL				
BZ				
SG				
	Standard Finish	Special Order Powder Coat Finishes		

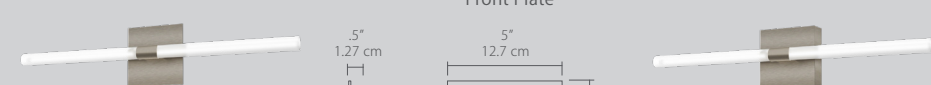
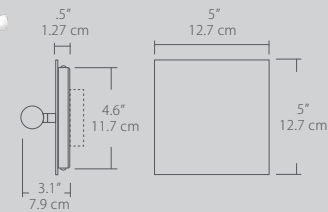
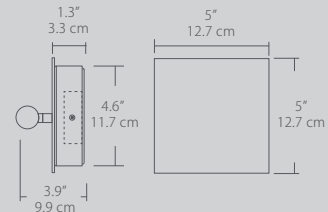
Volts/Dimming

Volts/Dimming	
	12T: Input: 120V , Dimming: TRIAC (Standard)
12T	27U: Input: 120-277V , Dimming: TRIAC/ ELV/ 0-10V (Special Order)
27U	

Color Temperature

Color Temp.	
	27K - 2700K
	30K - 3000K (Standard)
27K	35K - 3500K
30K	
35K	40K - 4000K
40K	

Backplates

Backplates		
S4	 <p>S4 - 4.6" Shallow Backplate (4.6" H, 4.6" W, .5" D) Driver located inside junction box</p>	 <p>DB - Deep Backplate (4.6" H, 4.6" W, 1.3" D) Driver located inside backplate</p>
DB	Standard Backplate	Special Order Backplate