

**Project:**

**Note:**

**Type:**

**Quantity:**

**Model#:** LIN - 14S - \_\_\_\_\_ - \_\_\_\_\_ - \_\_\_\_\_ - SO - \_\_\_\_\_

**Description**

A tubular frosted glass diffuser paired with a stamped steel back plate. The Lino Sconce adds contemporary styling to any space.

**Features**

- Stamped Steel construction
- Frosted glass tube diffuser
- Driver located behind back plate
- Damp location rated
- JA8-2016 Listed

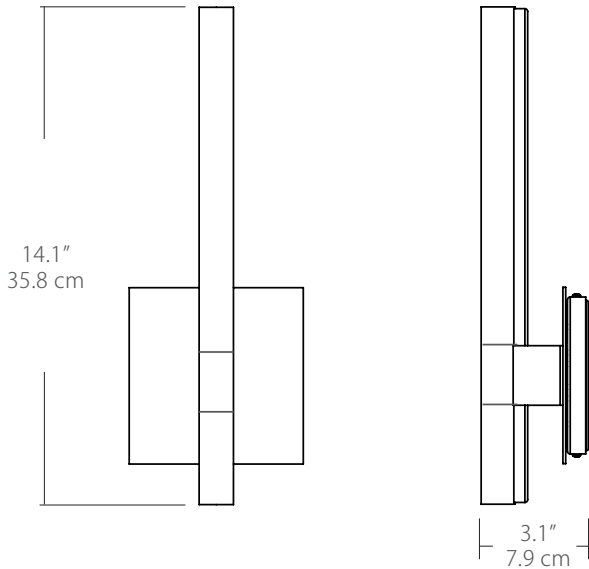


**Specifications (Standard)**

- Color Rendering Index: 90CRI
- LED Color Temperature: 3000K (standard)
- Input Voltage: 120VAC 50/60Hz
- Lamping: 11W
- Lumens: 568lm (Lumens measured in 3000K)
- Fixture Weight: 1.9 lb. (.88 kg)
- Dimming: TRIAC dimmable
- For recommended dimmers see <https://www.blackjacklighting.com/dimming-information>

**Options**

- Upgradable to 120-277V input driver with Universal Dimming (Only available with S4 - 4.6" Shallow backplate or DB - Deep backplate)
- Standard Finish : SN - Satin Nickel
- Special Order Powder Coat Finishes: BL - Matte Black , BZ - Bronze or SG - Satin Gold
- Color Temperature: 2700K, 3000K, 3500K or 4000K.
- Backplate: S4 - 4.6" Shallow backplate, DB - Deep backplate or S3 - 3.7" Shallow Backplate (120V driver only)



(Shown above with Standard S4 Backplate)



**Shown Above:**  
LIN-14S-SN-12T-30K-SO-S4

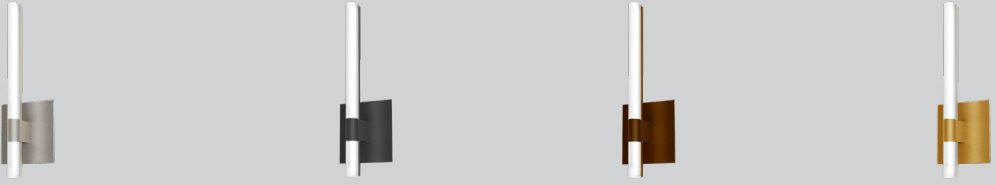


**ORDERING GUIDE**

Family	Size	Finish	Volts/Dimming	Color Temp.	Output	Backplate
<b>LIN</b>	<b>14S</b>			<b>30K</b>	<b>SO</b>	
LIN Lino	14S 14" Sconce	<b>Standard</b> SN Satin Nickel <b>Special Order</b> BL Matte Black BZ Bronze SG Satin Gold	<b>12T</b> 120VAC TRIAC Dimming <b>27U</b> 120-277VAC Universal Dimming (Only available with S4 and DB backplates)	<b>27K</b> 2700K <b>30K</b> 3000K <b>35K</b> 3500K <b>40K</b> 4000K (30K Standard)	<b>SO</b> Standard Output	<b>S4</b> 4.6" Shallow Backplate (Driver located in junction box) <b>DB</b> Deep Backplate (Driver located inside backplate) <b>S3</b> 3.9" Shallow Backplate (Driver located inside switch box) (120V driver only)

Example: LIN-14S-BZ-12T-30K-SO-S3

**Finishes**

<b>Finish</b>				
SN	SN - Satin Nickel	BL - Matte Black	BZ - Bronze	SG - Satin Gold
BL	<div style="display: flex; justify-content: space-around; align-items: center;"> <div style="border-top: 1px solid black; width: 100%;"></div> <div style="text-align: center;"> <p><b>Standard Finish</b></p> </div> <div style="text-align: center;"> <p><b>Special Order Powder Coat Finishes</b></p> </div> </div>			
BZ				
SG				

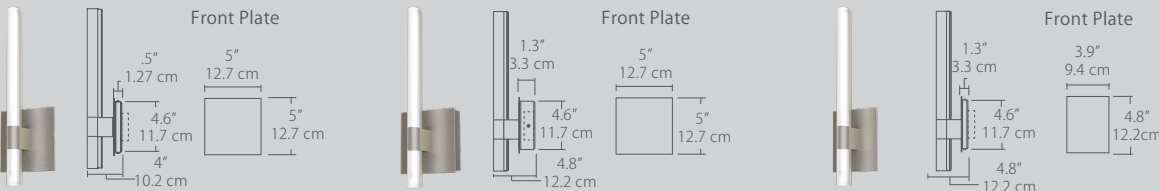
**Volts/Dimming**

<b>Volts/Dimming</b>	
12T	<b>12T:</b> Input: 120V , Dimming: TRIAC ( <b>Standard</b> )
27U	<b>27U:</b> Input: 120-277V , Dimming: TRIAC/ ELV/ 0-10V ( <b>Special Order</b> ) (Only available with DB - Deep backplate or S4 - 4.6" Shallow backplate )

**Color Temperature**

<b>Color Temp.</b>	
27K	<b>27K</b> - 2700K
30K	<b>30K</b> - 3000K ( <b>Standard</b> )
35K	<b>35K</b> - 3500K
40K	<b>40K</b> - 4000K

**Backplates**

<b>Backplates</b>			
S4	<b>S4</b> - Shallow 4.6" Backplate (4.6"H , 4.6"W , .5"D) Driver located inside j-box	<b>DB</b> - Deep Backplate (4.6"H , 4.6"W , 1.3"D) Driver located inside backplate	<b>S3</b> - 3.9" Shallow Backplate (4.6"H , 3.5"W , .5"D) Driver located inside j-box (This backplate requires a Narrow junction box with these approximate dimensions (4"H, 2.13"W,1.7"D))
DB	<b>Standard Backplate</b>	<b>Special Order Backplate</b>	<b>Special Order Backplate</b>
S3			