

Project:

Type:

Quantity:

Note:

SKU#: LIN - 25V - SN - - 30K

Description

A tubular frosted glass diffuser paired with a stamped steel back plate in Satin Nickel adds contemporary styling to a new value-priced vanity and wall sconce.

Features

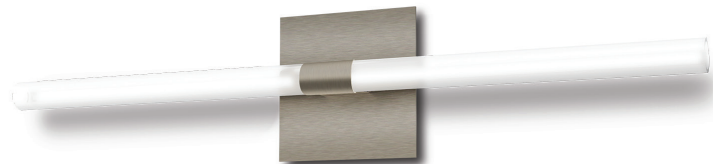
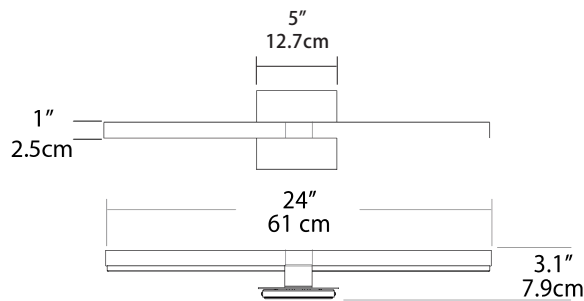
- Stamped Steel construction
- Frosted glass tube diffuser
- Driver behind back plate
- Damp location rated
- JA8-2016 Listed

Specifications

- Color Rendering Index: 90 CRI
- LED color temperature: 3000K
- Input Voltage: 120 VAC 50/60Hz
- Wattage: 21w
- Delivered lumens: 1100lm
- Dimming: TRIAC dimmable
- Fixture weight: 2.4 lb. (1.1 kg)
- For recommended dimmers and downloadable IES & LM 79 files, see blackjacklighting.com

Custom

- Optional upgrade: 120-277V input driver with universal dimming
- Optional backplate with internal driver



ORDERING GUIDE

Family	Size/Type	Finish
LIN	25V	SN
25V 25" Vanity		SN Satin Nickel

Example: LIN-25V-SN-12T-30K

CUSTOM OPTIONS

Volts/Dimming	Color Temp.
12T	30K
12T 120VAC Triac Dimming	30K 3000K
27U 120-277VAC Universal Dimming	
(12T Standard)	(30K Standard)

BACKPLATE OPTIONS

LINO VANITY 5" WIDE DEEPER PROFILE
INTERNAL DRIVER BACKPLATE

Model No: 95111-SN (Satin Nickel)