

Project:

Note:

Type:

Quantity:

Model#: CIR - 43P - _____ - 27U - _____

Description

The most recognizable, familiar and pleasing of geometric forms – the circle. Three size variations and multiple finish options augment Circuit’s heightened profile. Integrated LEDs around the circuit deliver powerful and pleasing ambient illumination in a variety of environments.

Features

- Four 72" support cables
- Powder coated steel exterior shade, acrylic diffuser
- Driver located in canopy housing
- Damp location rated



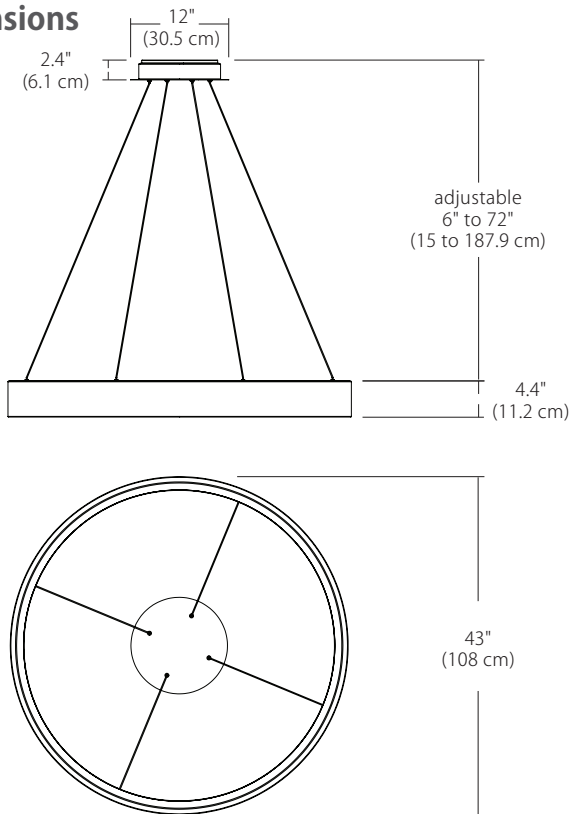
Specifications

- Color Rendering Index: 90CRI
- Color Temperature: 30K (standard)
- Input Voltage: 120-277VAC 50/60Hz
- Fixture Wattage: 111W
- Delivered Lumens: 5736 Lm
- Dimming: Universal dimming (TRIAC/ELV/0-10V)
- Fixture Weight: 16.8 lb. (7.62 kg)
- Available in BL - Matte Black or WH - Matte White exterior with a white diffuser.

Options

- Available in 2700K, 3000K, 3500K, 4000K Color Temperatures

Dimensions



CIR-43P-WH-27U-30K

ORDERING GUIDE

Category	Dize	Finish	Dimming	Color Temperature
CIR	43P		27U	
CIR Circuit	43P 43" Pendant	BL Black WH White	27U 120-270VAC Universal Dimming (27U Standard)	27K 2700K 30K 3000K 35K 3500K 40K 4000K (30K Standard)

Example: CIR-43P-WH-27U-30K

Customer specified RAL color code finishes available. Minimum order quantities and price changes apply.