

Project:

Note:

Type:

Quantity:

Model#: CIR - 43P - _____ - 27U - _____

Description

The most recognizable, familiar and pleasing of geometric forms – the circle. Three size variations and multiple finish options augment Circuit’s heightened profile. Integrated LEDs around the circuit deliver powerful and pleasing ambient illumination in a variety of environments.

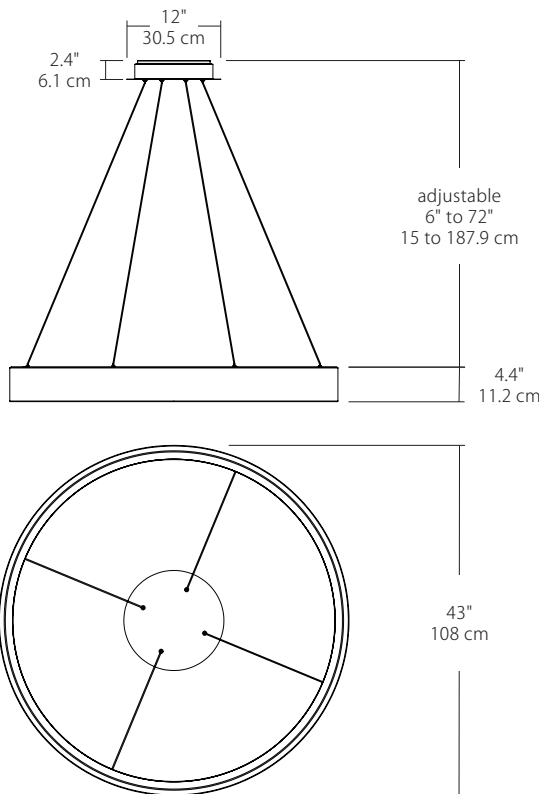
Features

- Four 72" support cables
- Powder coated steel exterior shade, acrylic diffuser
- Driver located in canopy housing
- CCT switchable (can be adjusted to 2700K/3000K/3500K/4000K)
- Damp location rated

Specifications

- Color Rendering Index: 90CRI
- Color Temperature: 30K (standard)
- Input Voltage: 120-277VAC 50/60Hz
- Wattage: 120W
- Delivered Lumens: 7680lm
- Dimming: Universal dimming (TRIAC/ELV/0-10V)
- Fixture Weight: 14 lb. (6.4 kg)
- Available in BL - Matte Black or WH - Matte White exterior with a white diffuser.

Dimensions



CIR-43P-WH-27U-30K



ORDERING GUIDE

Category	Dize	Finish	Dimming	Color Temperature
CIR	43P		27U	
CIR Circuit	43P 43" Pendant	BL Black WH White	27U 120-270VAC Universal Dimming (27U Standard)	27K 2700K 30K 3000K 35K 3500K 40K 4000K (30K Standard)

Example: CIR-43P-WH-27U-30K