

Project:

Note:

Type:

Quantity:

Model#: CIR - 32P - _____ - 27U - _____

Description

The most recognizable, familiar and pleasing of geometric forms – the circle. Three size variations and multiple finish options augment Circuit’s heightened profile. Integrated LEDs around the circuit deliver powerful and pleasing ambient illumination in a variety of environments.

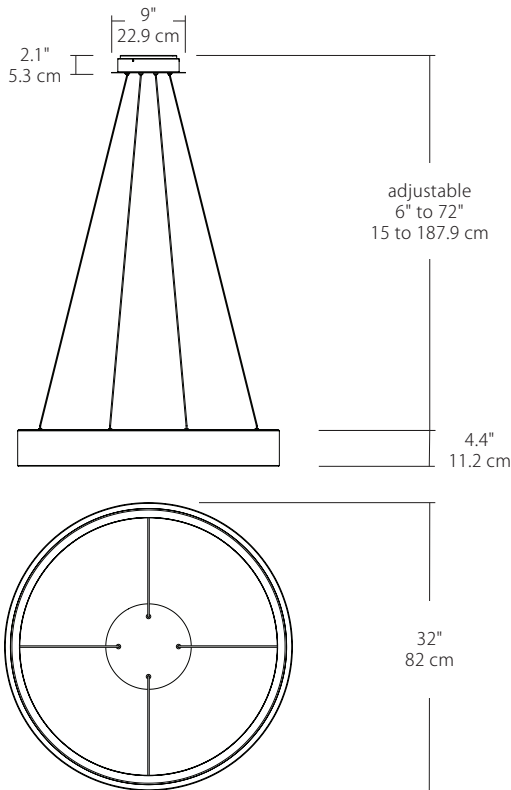
Features

- Four 72" support cables
- Powder coated steel exterior shade, acrylic diffuser
- Driver located in canopy housing
- CCT switchable (can be adjusted to 2700K/3000K/3500K/4000K)
- Damp location rated

Specifications

- Color Rendering Index: 90CRI
- Color Temperature: 30K (standard)
- Input Voltage: 120-277VAC 50/60Hz
- Wattage: 92W
- Delivered Lumens: 4680lm
- Dimming: Universal dimming (TRIAC/ELV/0–10V)
- Fixture Weight: 12 lb. (5.4 kg)
- Available in BL - Matte Black or WH - Matte White exterior with a white diffuser.

Dimensions



CIR-32P-WH-27U-30K



ORDERING GUIDE

Category	Dize	Finish	Dimming	Color Temperature
CIR	32P		27U	
CIR Circuit	32P 32" Pendant	BL Black WH White	27U 120–270VAC Universal Dimming (27U Standard)	27K 2700K 30K 3000K 35K 3500K 40K 4000K (30K Standard)

Example: CIR-32P-WH-27U-30K