

Project:

Type:

Quantity:

Note:

SKU#: CIR - 32P - - 27U -

Description

The most recognizable, familiar and pleasing of geometric forms – the circle. Three size variations and multiple finish options augment Circuit's heightened profile. Integrated LEDs around the circuit deliver powerful and pleasing ambient illumination in a variety of environments.

Features

- Available in: Black, white and satin nickel
- Four 72" coaxial support cables
- Steel shade
- Driver located in canopy housing
- Damp location rated

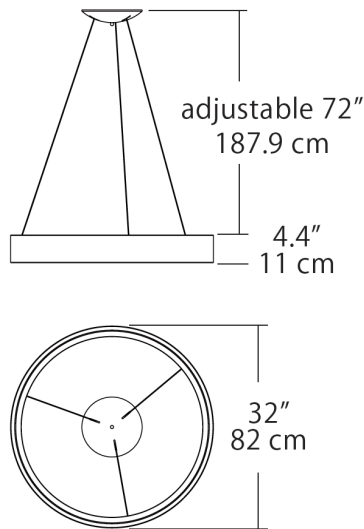
Specifications

- Color Rendering Index: 90 CRI
- LED color temperature: 3000K
- Input Voltage: 120-277 VAC 50/60Hz
- Wattage: 92w
- Delivered lumens: 4680lm
- Dimming: Universal dimming (TRIAC/ ELV/ 0-10V)
- Fixture weight: 12 lb. (5.4 kg)

• For recommended dimmers and downloadable IES & LM 79 files, see blackjacklighting.com

Custom

- Consult ordering guide below for finish options



ORDERING GUIDE

Family	Size/Type	Finish
CIR	32P	WH White BK Black
	32P 32" Pendant	

Example: CIR-24P-WH-27U-30K

CUSTOM OPTIONS

Volts/Dimming	Color Temp.
27U	30K
27U 120-277VAC, Universal Dimming	30K 3000K

(27U Standard)

(30K Standard)