

Project:

Type:

Quantity:

Note:

SKU#:   CIR   -   24P   -      -   27U   -     

## Description

The most recognizable, familiar and pleasing of geometric forms – the circle. Three size variations and multiple finish options augment Circuit's heightened profile. Integrated LEDs around the circuit deliver powerful and pleasing ambient illumination in a variety of environments.

## Features

- Available in: Black, white and satin nickel
- Four 72" coaxial support cables
- Steel shade
- Driver located in canopy housing
- Damp location rated

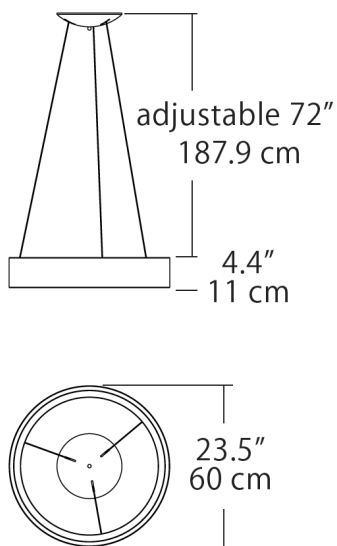
## Specifications

- Color Rendering Index: 90 CRI
- LED color temperature: 3000K
- Input Voltage: 120-277 VAC 50/60Hz
- Wattage: 42w
- Delivered lumens: 3280lm
- Dimming: Universal dimming (TRIAC/ ELV/ 0-10V)
- Fixture weight: 9 lb. (4 kg)

• For recommended dimmers and downloadable IES & LM 79 files, see [blackjacklighting.com](http://blackjacklighting.com)

## Custom

- Consult ordering guide below for finish options



## ORDERING GUIDE

Family	Size/Type	Finish
<b>CIR</b>	<b>24P</b>	<b>WH</b> White <b>BK</b> Black
24P 24" Pendant		

Example: CIR-24P-WH-27U-30K

## CUSTOM OPTIONS

Volts/Dimming	Color Temp.
<b>27U</b>	<b>30K</b>
27U 120-277VAC, Universal Dimming	30K 3000K

(27U Standard)

(30K Standard)