



IMPORTANT

- Fixture includes pendants preinstalled in canopy, with approximately 6' exposed cable per pendant. After installation, installing contractor to screw diffusers into sockets. Cables may be shortened/lengthened as needed via gripper at canopy faceplate (no cutting/splicing required).
- Standard 8' total of field-adjustable cable is included with each pendant (unless otherwise specified); no cutting or splicing required for in-field adjustments.
- Appropriate number of joiners and spacers included to complete configuration installation.
- Individual canopies with pendants can weigh as much as 50 pounds. Fixture must be mounted to rigid ceiling material (e.g., sheet rock, fire-rated plywood or similar) that can support system weight and accept drywall anchors, expandable fasteners or similar structural fasteners.

CAUTION

TURN OFF THE MAIN POWER AT THE CIRCUIT BREAKER BEFORE INSTALLING THE FIXTURE IN ORDER TO PREVENT POSSIBLE SHOCK

IF YOU ARE UNFAMILIAR WITH PROPER ELECTRICAL WIRING CONNECTIONS OBTAIN THE SERVICES OF A QUALIFIED ELECTRICIAN

GENERAL

- Read all instructions carefully for safe operation and installation.
- All electrical connections must be in accordance with local and national electrical code (N.E.C) standards.
- Remove the fixture and any additional package from the box and make sure that no parts are missing by referencing the illustrations on the installation instruction. Please contact Blackjack Lighting if any parts are missing or damaged.
- This product is suitable for damp locations.

INSTALLATION**PREPARATION**

1. Remove the fixture from its box. Unpack the bundled wire packages, but be careful not to bend or kink the wires when unpacking them. Remove the additional light guide package(s).
2. Remove the back housing (10) from the canopy cover (12) by loosening the two decorative finials (11). For the end feed option also remove back housing (10) from the driver end feed housing (26).

MOUNTING (Option 1- End Feed/ Integral Driver)

- a. Place the ceiling plate (23) over the outlet box (1). Drill two support holes for the ceiling plate screws (24) using the appropriately sized drill bit. Insert and tighten the ceiling plate screws (24) to secure them. Drill four holes for the ceiling anchors (18) with the appropriately sized drill bit. Then attach the back housing (10) by inserting the provided ceiling anchors (18) into the ceiling. First screw the anchor screws (19) halfway into the ceiling anchors, then further attach back housing (10) to the ceiling by inserting and tightening the two mounting screws (9) to the outlet box (1). Before fully tightening, attach the joiner bracket (31) (included with the driver end feed assembly) to the back housing (10) and the driver end feed housing. Afterward fully tighten all anchor screws (19).
- b. Pull the supply wires (2 & 7) and the house ground wire (5) out of the outlet box (1) and thread them through the center hole in the driver end feed housing (26)
- c. Temporarily suspend the canopy cover (12) from the back housing (10) by attaching the wire tethers (14) to their mating hooks (13).
- d. Using the wire connectors (3) attach the black fixture wire (8) to the black supply wire (7) from the outlet box (1). Attach the white fixture wire (4) to the white supply wire (2) from the outlet box (1). And attach the fixture ground wire (6) to the house ground wire (5). Then attach the front cover of the end driver feed (26) making sure that the low voltage power output is sticking out of one end of housing toward the fixture.

MOUNTING (Option 2- Center Feed/ Remote Driver)

- a. Place the ceiling plate (23) over the outlet box (1). Locate the two evenly spaced auxiliary mounting holes in the back of back plate housing. Mark the hole locations on the ceiling. Drill two support holes using the appropriately sized drill bit. Then attach the back housing (10) by inserting the provided ceiling

anchors (18) into the ceiling. First screw the anchor screws (19) halfway into the ceiling anchors, then further attach back housing (10) to the ceiling using two mounting screws (9), fully tighten the screws (9) to attach them to the outlet box (1). Afterward fully tighten all anchor screws (19).

- b. Pull the supply wires (2 & 7) and the house ground wire (5) out of the outlet box (1) and thread them through the center hole in the back housing (10).
- c. Temporarily suspend the canopy cover (12) from the back housing (10) by attaching the wire tethers (14) to their mating hooks (13).
- d. Connect the white positive low voltage wire (27) coming from the fixture to the positive low voltage wire (29) coming from driver through the outlet box (1); connect the black low voltage wire from the fixture (28) to the low voltage wire (30) coming from driver through the outlet box (1); connect the house ground wire (5) to the fixture ground wire (6).

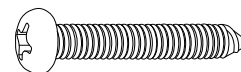
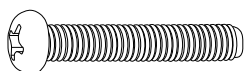
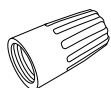
FINAL ASSEMBLY

- 4. Determine the appropriate length of each suspension wire (if in doubt about exact length needed, leave a little extra wire until final installation of the canopy cover (12)). Push the excess wire up into the canopy by pressing the small barrel of the gripper (15) upward. This will release the wire tension and allow the suspended wire to be pulled through gripper (15). Roll excess wire onto a wire spool (22) inside the canopy. Place the wound wire spool (22) into place over the wire coming from below to keep the excess wire secure and to prevent it from falling outside the bottom as (11). Then attach low voltage power feed by plugging in the female connector coming from the driver to the male connector on the end of the wire harness (25) coming from the pendants.
- 5. Make sure all wires are carefully placed inside canopy cover (12). Secure the canopy cover (12) to the Back housing (10) by tightening the two decorative finials (11).
- 6. Once the canopy is in place, fine tune the wire lengths longer or shorter to get each pendant adjusted to its preferred length by adjusting the gripper (15).
- 7. Once the length of each wire has been established, any remaining bends or kinks in the wire can be straightened by bending out the kinks by hand while heating the cord up with the warm air from a hair dryer or heat gun. Or contact BlackJack Lighting to purchase a handheld wire straightener.

DIMMING

- Fixture Dimming Type: Universal (TRIAC, ELV, or 0-10V)
- For recommended dimmers see <https://www.blackjacklighting.com/dimming-information>

HARDWARE (End Feed)



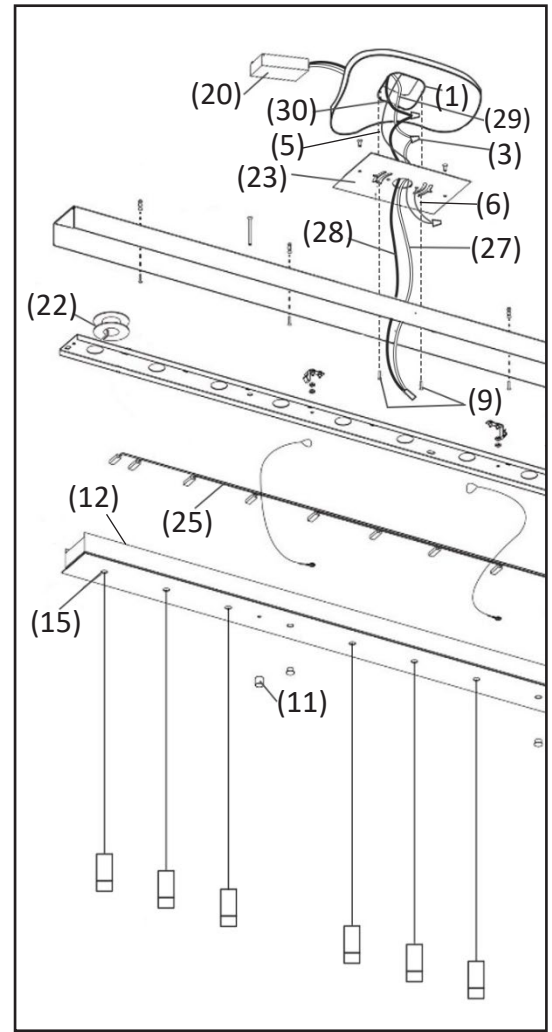
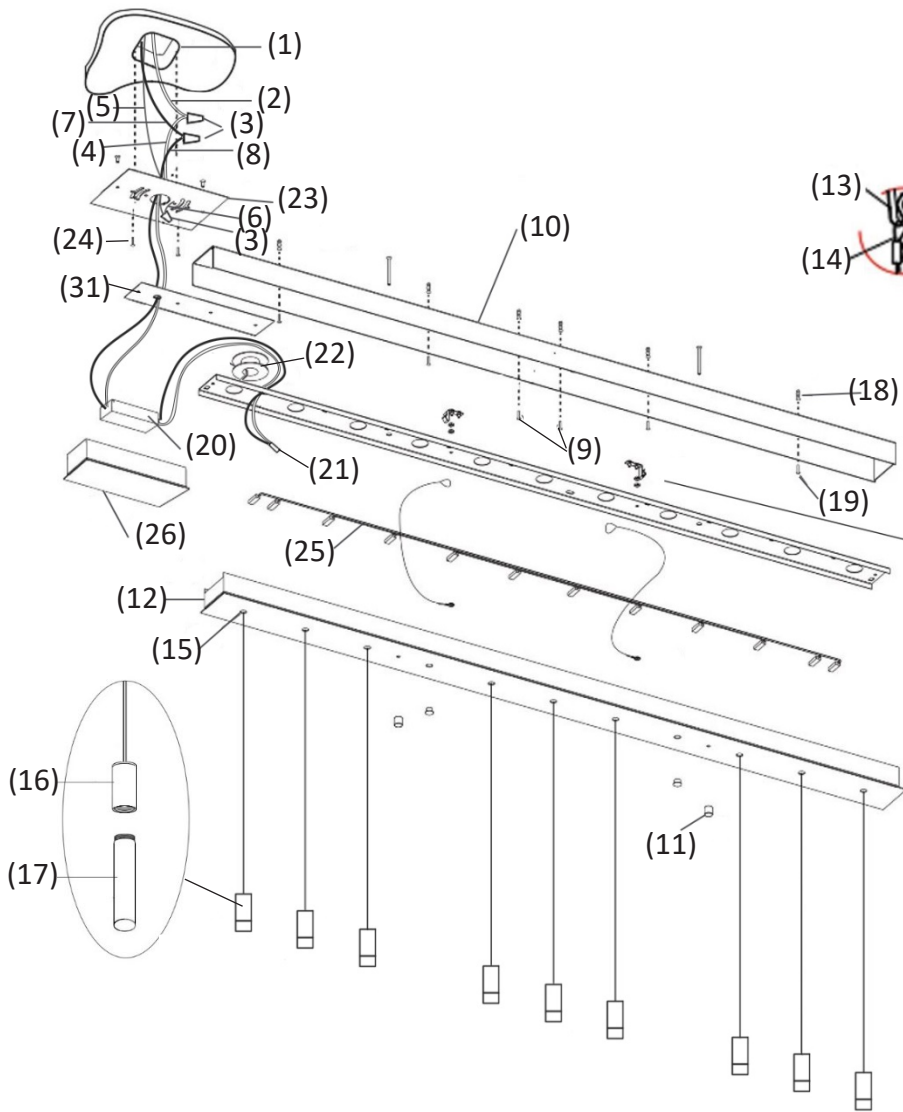
Wire Connectors (#3)
[3 Included]

Mounting Screws (#9)
[2 Included]

Decorative Finial (#11)
[2 Included]

Anchor (#18)
[4 Included]

Anchor Screw (#19)
[4 Included]



- | | |
|---------------------------|--|
| 1. OUTLET BOX (by others) | 17. LIGHT GUIDE |
| 2. WHITE SUPPLY WIRE | 18. CEILING ANCHOR |
| 3. WIRE CONNECTORS | 19. ANCHOR SCREW |
| 4. WHITE FIXTURE WIRE | 20. DRIVER |
| 5. HOUSE GROUND WIRE | 21. LUMINAIRE DISCONNECT |
| 6. FIXTURE GROUND WIRE | 22. WIRE SPOOL |
| 7. BLACK SUPPLY WIRE | 23. CEILING PLATE |
| 8. BLACK FIXTURE WIRE | 24. CEILING PLATE SCREWS |
| 9. MOUNTING SCREWS | 25. WIRE HARNESS FOR PENDANTS |
| 10. BACK HOUSING | 26. END DRIVER FEED HOUSING |
| 11. DECORATIVE FINIAL | 27. WHITE FIXTURE LOW VOLTAGE WIRE + |
| 12. CANOPY COVER | 28. BLACK FIXTURE LOW VOLTAGE WIRE - |
| 13. WIRE MOUNT HOOK | 29. WHITE LOW VOLTAGE WIRE + (from driver) |
| 14. WIRE TETHER LOOP | 30. BLACK LOW VOLTAGE WIRE - (from driver) |
| 15. GRIPPER | 31. JOINER BRACKET |
| 16. SOCKET | |