

QUATRO MODULAR SYSTEM

MQ-24xx (24"/ 9 or 25 Port)

CAUTION

TURN OFF THE MAIN POWER AT THE CIRCUIT BREAKER BEFORE INSTALLING THE FIXTURE IN ORDER TO PREVENT POSSIBLE

IF YOU ARE UNFAMILIAR WITH PROPER ELECTRICAL WIRING CONNECTIONS OBTAIN THE SERVICES OF A QUALIFIED

GENERAL

- Read all instructions carefully for safe operation and installation.
- All electrical connections must be in accordance with local and national electrical code (N.E.C.) standards
- Remove the fixture from the box. Make sure there are no missing parts by referencing the illustrations on the installation instructions. Read all instructions carefully for safe operation and installation.
- This product is suitable for damp locations.

ASSEMBLY AND INSTALLATION**PREPARATION**

1. Carefully remove the fixture from its box, and carefully unpack the bundled wire packages. Be careful not to bend or kink wires when unpacking. Remove the additional package with decorative light guides (14). Remove the ceiling plate (7) from the canopy cover (8) by loosening the four decorative finials (9).

MOUNTING

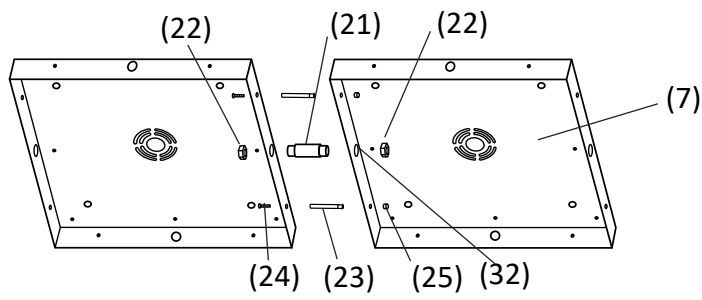
2. This fixture must be mounted into a rigid ceiling material (sheet rock, fire rated plywood or similar) that can support the weight of the fixture and accept drywall anchors, expandable fasteners or similar structural fasteners (by others).
3. Place the ceiling plate (7) over the junction box. It is recommended to start over a junction box. For a custom made modular assembly, each fixture has an orientation and a specific location for installation. During installation, align all the orientation arrows located on the inside of the custom fixtures, to face the same direction. Drill eight support holes in the ceiling material using an appropriately sized drill bit. Insert ceiling anchors (by others) into the holes. First screw the anchor screws halfway into the ceiling anchors; when the ceiling plate (7) is properly aligned in the installation, fully tighten all anchor screws. (see figure 5)
4. Pull the supply wires (2 & 3) and the house ground wire (4) out of the junction box (1) and thread them through the large center hole in ceiling plate (7). If this fixture will be attached to a 0-10V dimmer (optional), also pull the two 0-10V dimming wires through the large center hole.

INSTALL SPACERS AND JOINERS

5. For runs that will use fixture spacers (23) and joiner kit(s) (21), first install the female side of the spacers (23) into fixture 1s ceiling plate (7). Thread the male screws (24) through the spacer holes from inside of the ceiling plate (7) housing. Tighten them securely into the spacers (23) to secure. (See Figure 1)
6. Push out large center knock-out (32) from first ceiling plate's (7) mating side. Remove the knurled ring (22) from either side of the joiner (21) and insert one end of threaded tube into the knock-out opening. Re-tighten the knurled ring (22) on one side. (See Figure 1)
 - a. To mount the second fixture, push out large center knock-out (32) from second ceiling plate. Install the second ceiling plate into the side with the fixture spacers and joiner kit. Insert fixture until it is securely aligned by the threaded rods of fixture spacers. Mark and drill eight support holes using the appropriately sized drill bit into a rigid ceiling material. Insert ceiling anchors (by others) into the holes. First screw the anchor screws halfway into the ceiling anchors; when properly aligned with the joining ceiling plate (7), fully tighten all anchor screws (16) (see figure 5). Place knurled ring (22) over the end of the joiner bracket (21),

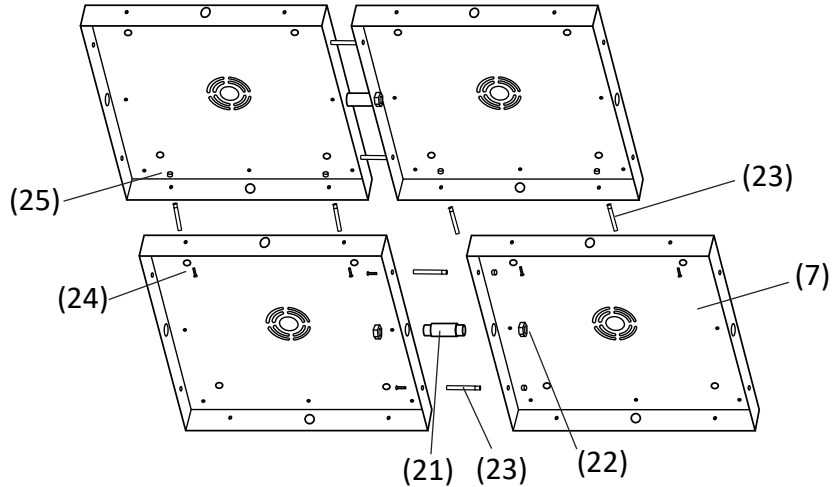
and place the hex nuts (25) over exposed thread on the fixture spacers (23), and tighten. Feed the three conductor 36" extension wire (26) and (Optional) Purple and Grey 36" extension wires (27) through joiner tube (21) into the second fixture. (See Figures 1 and 3)

Figure 1



- c. For additional connected modules in this first row repeat the procedure above.
Note: It is recommended to start with a fixture located at a junction box) and complete a single row. Ensure orientation is correctly squared before proceeding to the next row.
- d. For additional rows of fixtures use spacer kits (23-25) to correctly space fixtures apart from one another. Install spacers (23) with the male threaded side pointing toward the first row, and leaving the female side of the spacer to face the newly installed row (See Figure 2).

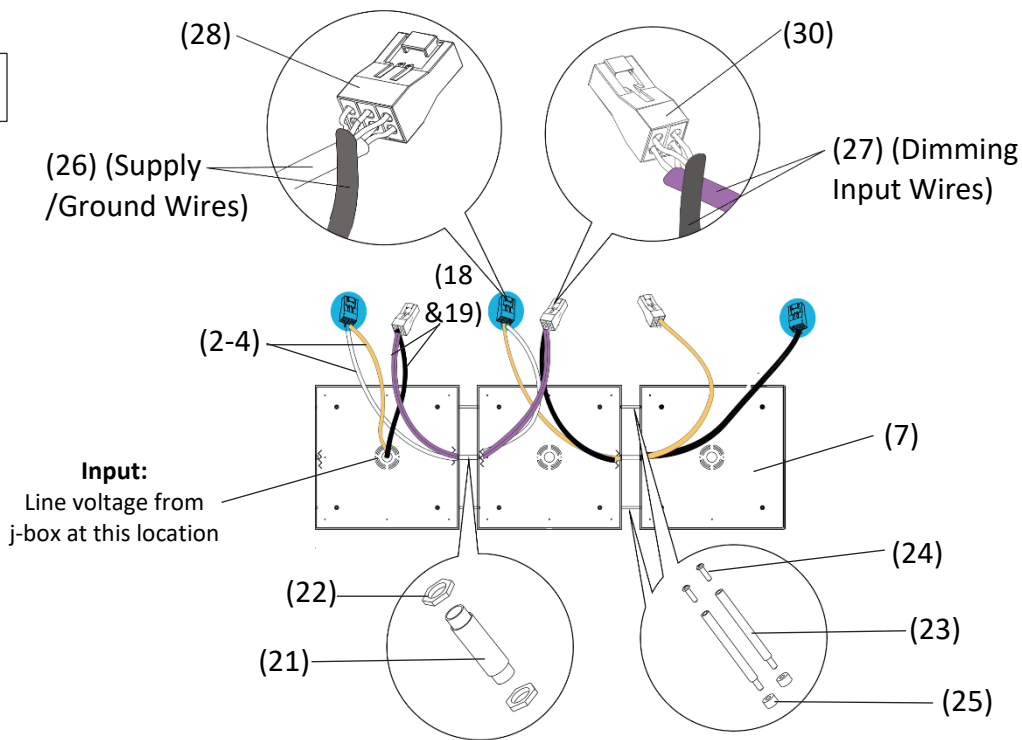
Figure 2



ELECTRICAL CONNECTIONS

7. Remove the female three conductor connector (28) from the male connector(29) attached to driver (17). Attach this female three conductor connector (28) to the input supply/ ground wires. Attach the black supply wire (3) to one of the two black poke-in terminals in the back of the connector (28). Attach the black wire from the 36" three conductor extension wire (26) to the other black poke-in terminal. Attach the white supply wire (2) to one of the two white poke-in terminals in the back of the connector (28). Attach the white wire from the 36" three conductor extension wire (26) to the other white poke-in terminal. Attach the house ground wire (4) to one of the two red poke-in terminals in the back of the connector (28). Attach the green ground wire from the 36" three conductor extension wire (26) to the other red poke-in terminal. (See Figures 3 and 4).
8. If this fixture will be attached to an optional 0-10V dimmer: Remove the female two conductor connector (30) from the male connector (31) attached to driver (17). Attach this female two conductor connector (30) to the dimming input wires. Attach the purple (or "+" /positive) dimming input wire to one of the white poke-in terminals on the back of the two-conductor connector (30). Attach the Purple 36" extension wire (27) to the other white poke-in terminal. Attach the gray (or "-" /negative) dimming input wire to one of the black poke-in terminals on the back of the two conductor connector (30). Attach the Grey 36" extension wire (27) to the other black poke-in terminal. (See Figures 3 and 4)

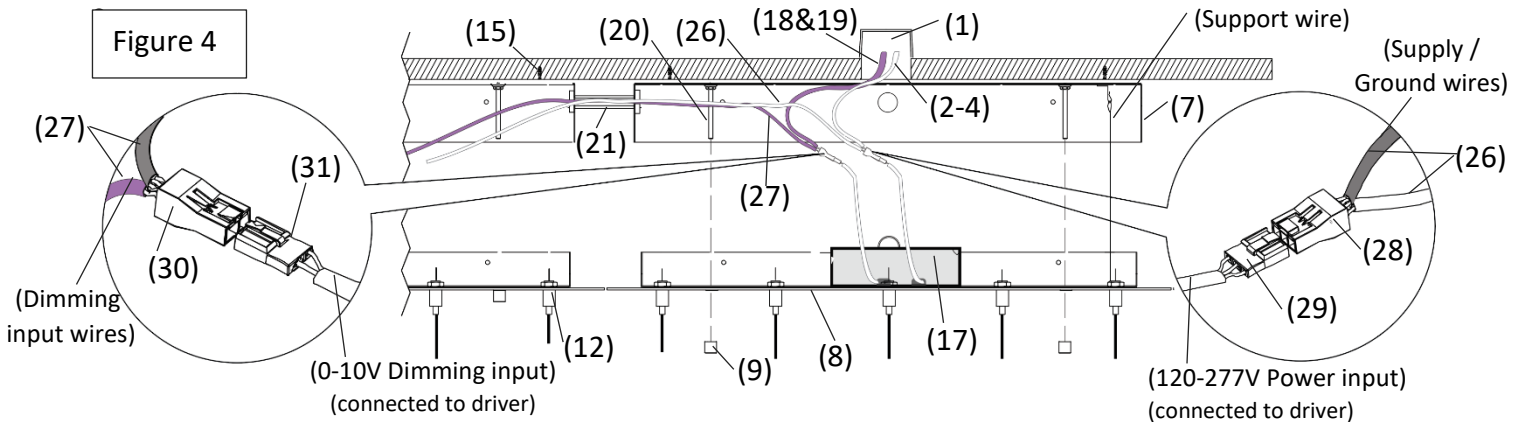
Figure 3



FINAL ASSEMBLY

9. Assemble light guides (13 & 14) and adjust cord lengths before attaching the canopy cover (8) to the ceiling plate (7).
Note: if fixture is preconfigured, skip to Step 10.
 - a. To install a decorative light guide (14) simply screw the threaded top of the light guide diffuser (14) into a socket (13). (See Figure 5)
 - b. Determine the approximate length of each suspension wire. If in doubt about exact length needed, leave a little extra wire until final installation of canopy cover (8). Push the excess wire into the canopy by pressing the small barrel of the gripper (12) upward. This will release the wire tension and allow the suspended wire to be pulled through the gripper (12). Roll excess wire into a small loop inside the canopy. Use the supplied Velcro strap, attached to each wire in the canopy cover (8), to wrap around this loop to keep the excess wire from falling outside the canopy cover (8). (See Figure 4)

Figure 4



10. Suspend the front canopy cover (8) from ceiling plate (7) by attaching three support loops (11) to their mating hooks (10).
11. Connect the three-conductor power connector (31) from the driver (17) to the mating connector (30) attached to ceiling plate (7). Connect the two-conductor dimming connector (29) from the driver (17) to the mating connector (28) attached to the ceiling plate (7). (optional) (See Figure 4)
12. Make sure all wires are carefully placed inside canopy cover (8) and make sure all of the orientation arrows are aligned. Secure the canopy cover (8) to the ceiling plate (7) by aligning the holes in the canopy cover with the outward screws (33), then tighten the four decorative finials (9) onto the outward screws (20). Once the canopy is in place, fine tune the wire lengths longer or shorter to get each light guide adjusted to its preferred length by pushing in the end barrel of the gripper (12) (Figure 4).

Fine tuning: Once the length of each wire has been established, any remaining bends or kinks in the wire can be straightened by bending out the kinks by hand while heating the cord with the warm air from a hair dryer or heat gun. Or contact BlackJack Lighting for a handheld wire straightener.

DIMMING

- Fixture Dimming Type: TRIAC, ELV, or 0-10V dimmable.
- For recommended dimmers see <https://www.blackjacklighting.com/dimming-information>

HARDWARE PER FIXTURE



Mounting Screws (#6)

[2 Included]



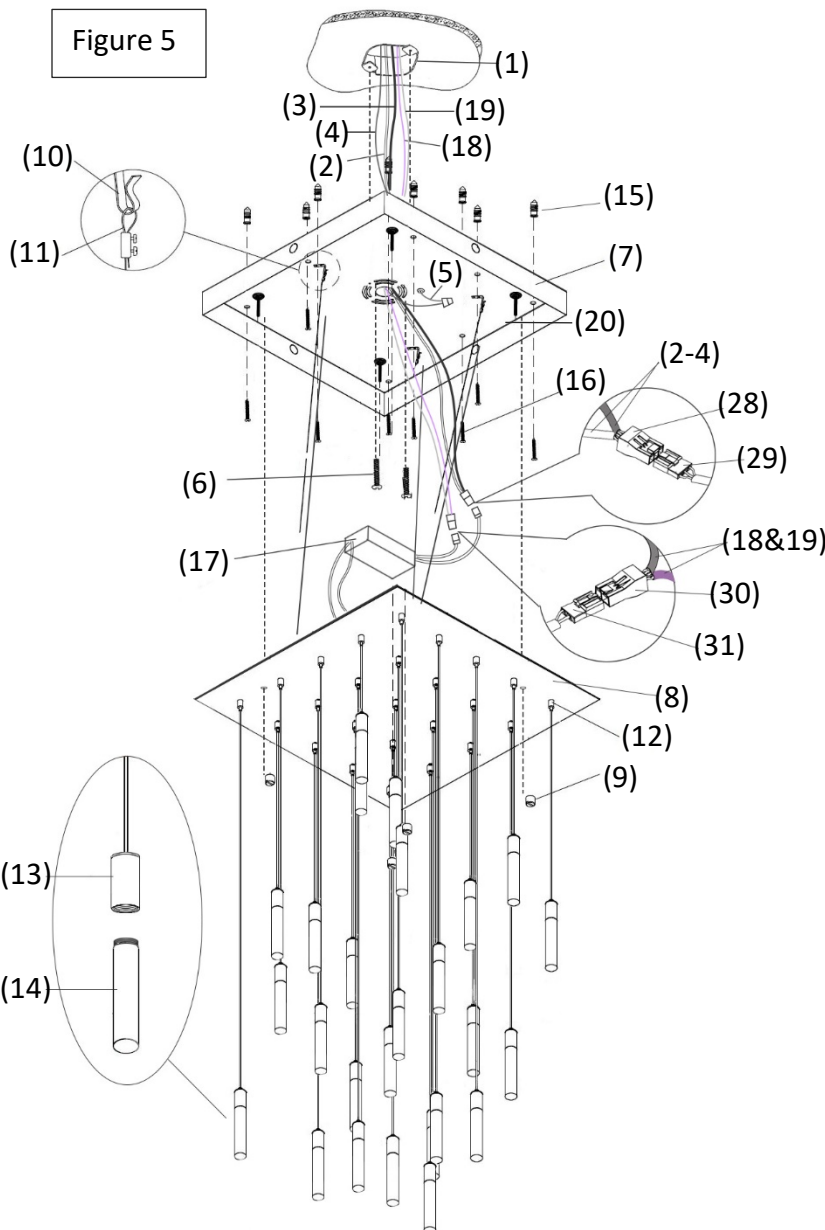
Decorative Finial (#9)

[4 Included]



Anchor Screw (#16)

[8 Included]



1. JUNCTION BOX (by others)
2. WHITE SUPPLY WIRE
3. BLACK SUPPLY WIRE
4. HOUSE GROUND WIRE
5. FIXTURE GROUND WIRE
6. MOUNTING SCREWS
7. CEILING PLATE
8. CANOPY COVER
9. DECORATIVE FINIAL
10. HOOK
11. LOOP
12. GRIPPER
13. SOCKET
14. LIGHT GUIDE
15. CEILING ANCHOR (by others)
16. ANCHOR SCREW
17. DRIVER
18. 0-10V DIMMING + (optional)
19. 0-10V DIMMING - (optional)
20. OUTWARD SCREW
21. JOINER
22. KNURLED RING
23. SPACER
24. MALE SPACER SCREW
25. SPACER HEX NUT
26. 3 CONDUCTOR 36" EXTENSION WIRE
27. 2 CONDUCTOR PURPLE AND GREY 36" EXTENSION WIRE (optional dimming)
28. 3 CONDUCTOR FEMALE CONNECTOR
29. 3 CONDUCTOR MALE CONNECTOR
30. 2 CONDUCTOR FEMALE CONNECTOR (optional dimming)
31. 2 CONDUCTOR MALE CONNECTOR (optional dimming)
32. JOINER KIT KNOCK OUT