

## WEDGE PENDANT

WEG-26C (26")

## CAUTION

TURN OFF THE MAIN POWER AT THE CIRCUIT BREAKER BEFORE INSTALLING THE FIXTURE IN ORDER TO PREVENT POSSIBLE SHOCK

IF YOU ARE UNFAMILIAR WITH PROPER ELECTRICAL WIRING CONNECTIONS OBTAIN THE SERVICES OF A QUALIFIED ELECTRICIAN

## GENERAL

- Read all instructions carefully for safe operation and installation.
- All electrical connections must be in accordance with local and national electrical code (N.E.C) standards.
- Remove the fixture and the mounting package from the box and make sure that no parts are missing by referencing the illustrations on the installation instruction. Please contact Blackjack Lighting if any parts are missing or damaged.
- This product is suitable for damp locations.

## INSTALLATION

## PREPARATION

1. Remove the fixture from its box.
2. Remove the ceiling plate(10) from the canopy cover(11) by loosening the decorative nut(12).

## MOUNTING

3. Pull the supply wires(2&4) and the house ground wire(6) out of the outlet box(1) and thread them through the large center hole in the ceiling plate(10). Hold the ceiling plate(10) over the outlet box(1). Insert the mounting screws(9) through the slots on the ceiling plate(10). Then tightly secure the mounting screws(9) into the outlet box(1).

## ELECTRICAL CONNECTIONS

4. Using the wire connectors(8), connect the white supply wire(2) to the white fixture wire(3); connect the black supply wire(4) to the black fixture wire(5); and connect the house ground wire(6) to the fixture ground wire(7). Carefully tuck all the wires back into the outlet box(1).

## FINAL ASSEMBLY

5. Temporarily mount the canopy cover(11) to the ceiling plate(10) by attaching both loops(15) to their mating hooks(14). Adjust the three suspension cables to the approximate mounting length by loosening the set screws(17) located in retainer collar(16). Use the Allen wrench(18) provided in the accompanying parts bag to tighten or loosen the set screw(17). With the set screw(17) loosened, raise or lower the suspension cables into their retainer collar(16) until they are approximately adjusted to the desired mounting length. Tighten the nylon set screws(17) to retain the cables. Tighten for a snug fit but **DO NOT OVERTIGHTEN THE SET SCREWS INTO THE SUPPORT CABLES.**
6. Once the cables are adjusted to their approximate mounting lengths, wind the excess cable in the canopy around the three fixed brackets, then use the attached twist ties to retain the excess cable into one big loop that will fit inside the canopy cover(11).
7. To secure the canopy cover(11) to the ceiling plate(10) align the hole in the bottom of the canopy cover(11) with the attached outward screw in the ceiling plate(10). Then tighten the decorative nut(12).
8. Once the canopy(11) is in place, fine tune the fixture suspension cable lengths following step 5, so that the fixture is level and so the three cables are even in length.

## DIMMING

- Fixture Dimming Type: TRIAC, ELV, 0-10V dimmable
- For recommended dimmers see <https://www.blackjacklighting.com/dimming-information>

## HARDWARE



**Wire Connectors (#8)**  
[ 3 Included ]



**Mounting Screws (#9)**  
[ 2 Included ]



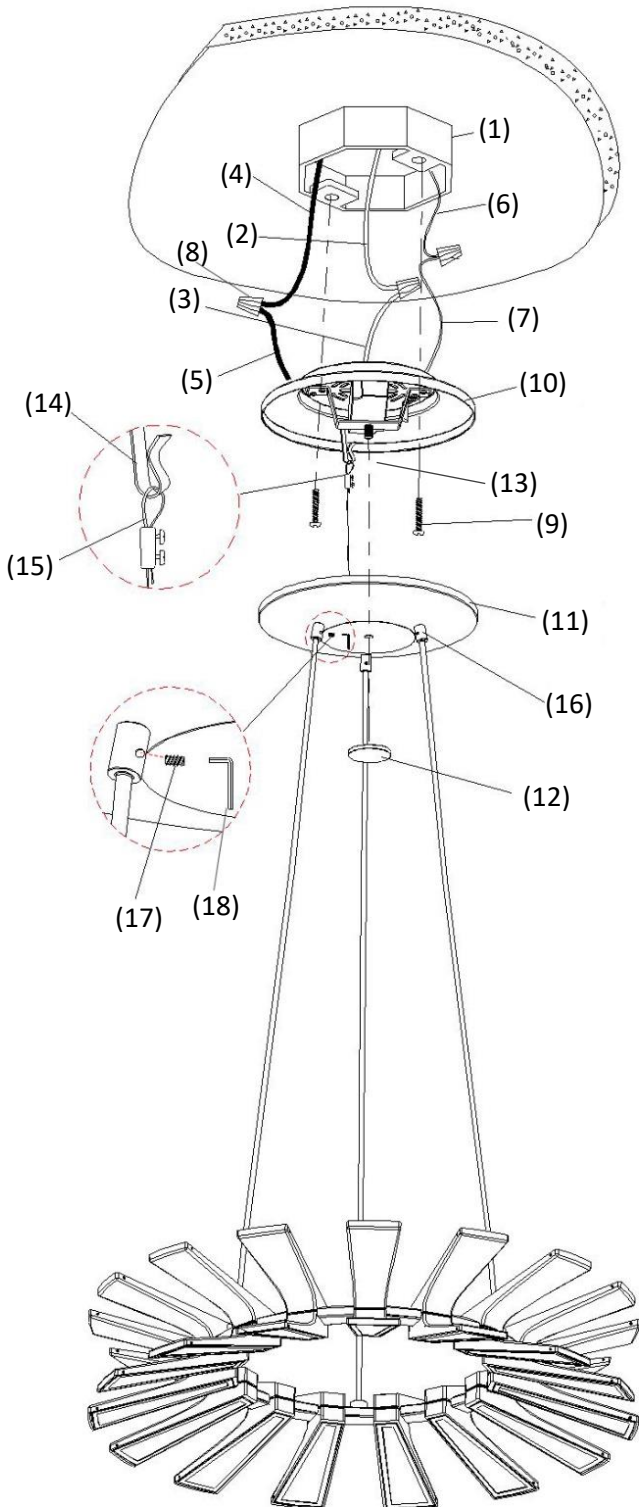
**Decorative Nut (#12)**  
[ 1 Included ]



**Set Screws (#17)**  
[ 3 Included ]



**Allen Wrench (#18)**  
[ 1 Included ]



1. OUTLET BOX (by others)
2. WHITE SUPPLY WIRE
3. WHITE FIXTURE WIRE
4. BLACK SUPPLY WIRE
5. BLACK FIXTURE WIRE
6. HOUSE GROUND WIRE
7. FIXTURE GROUND WIRE
8. WIRE CONNECTORS
9. MOUNTING SCREWS
10. CEILING PLATE
11. CANOPY COVER
12. DECORATIVE NUT
13. ATTACHED OUTWARD SCREW
14. HOOK
15. LOOP
16. RETAINER COLLAR
17. SET SCREW
18. ALLEN WRENCH