

STEELOS PENDANT

STL – 24P (24" 25 Light)

CAUTION

TURN OFF THE MAIN POWER AT THE CIRCUIT BREAKER BEFORE INSTALLING THE FIXTURE IN ORDER TO PREVENT POSSIBLE SHOCK

IF YOU ARE UNFAMILIAR WITH PROPER ELECTRICAL WIRING CONNECTIONS OBTAIN THE SERVICES OF A QUALIFIED ELECTRICIAN

GENERAL

- Read all instructions carefully for safe operation and installation.
- All electrical connections must be in accordance with local and national electrical code (N.E.C) standards.
- Remove the fixture and the mounting package from the box and make sure that no parts are missing by referencing the illustrations on the installation instruction. Please contact Blackjack Lighting if any parts are missing or damaged.
- This product is suitable for damp locations.

INSTALLATION**PREPARATION**

1. NOTE: Fixture must be mounted into a rigid ceiling material (sheet rock, fire rated plywood or similar) that can support the weight of the fixture and accept drywall anchors, expandable fasteners or similar structural fasteners. Remove the fixture from its box. Unpack the bundled wire packages. Be careful not to bend or kink wires when unpacking them. Remove the additional package of the 25 decorative light guides(18).
2. Remove the ceiling plate(10) from the canopy cover(11) by loosening the four decorative finials(12).

MOUNTING

3. Place the ceiling plate(10) over the outlet box(1). Drill eight support holes using the appropriately sized drill bit. Insert the provided drywall anchors(16) into the holes. First screw the anchor screws(17) halfway into the ceiling anchors(16), then further attach the ceiling plate(10) to the outlet box(1) using the two mounting screws(9). Afterward fully tighten all the anchor screws(17).

ELECTRICAL CONNECTIONS

4. Pull the supply wires(2&4) and the house ground wire(6) out of the outlet box(1), thread them through the large center hole in ceiling plate(10).

FINAL ASSEMBLY

7. Determine the approximate length of each light guide(18) suspension wire (if in doubt about exact length needed, leave a little extra wire until the final installation of the canopy cover(11)). Push the excess wire up into the canopy by pressing the small barrel of the gripper(15) upward. This will release the wire tension and allow the suspended wire to be pulled through the gripper(15). Roll the excess wire into a small loop inside the canopy cover(11). Wrap the supplied Velcro strap, attached to each wire in the canopy cover(11), around this loop to keep the excess wire from falling outside the canopy cover(11).
8. Temporarily suspend the canopy cover(11) from the ceiling plate(10) by attaching the three support loops(14) to the mating hooks(13)(attached to the ceiling plate(10)).
9. Make sure all wires are carefully placed inside the canopy cover(11). Secure the canopy cover(11) to the ceiling plate(10) by tightening the four decorative finials(12). Once the canopy is in place, fine tune the wire lengths longer or shorter to get each light guide adjusted to its preferred length by pushing in the end barrel of the gripper(15).
11. Once the length of each wire has been established, any remaining bends or kinks in the wire can be straightened by bending out the kinks by hand while heating the cord up with the warm air from a hair dryer or heat gun.

DIMMING

- Fixture Dimming Type: TRIAC, ELV, or 0-10V dimmable

For recommended dimmers see <https://www.blackjacklighting.com/dimming-information>

HARDWARE



Wire Connectors(8)
[3 Included]



Mounting Screws (#9)
[2 Included]



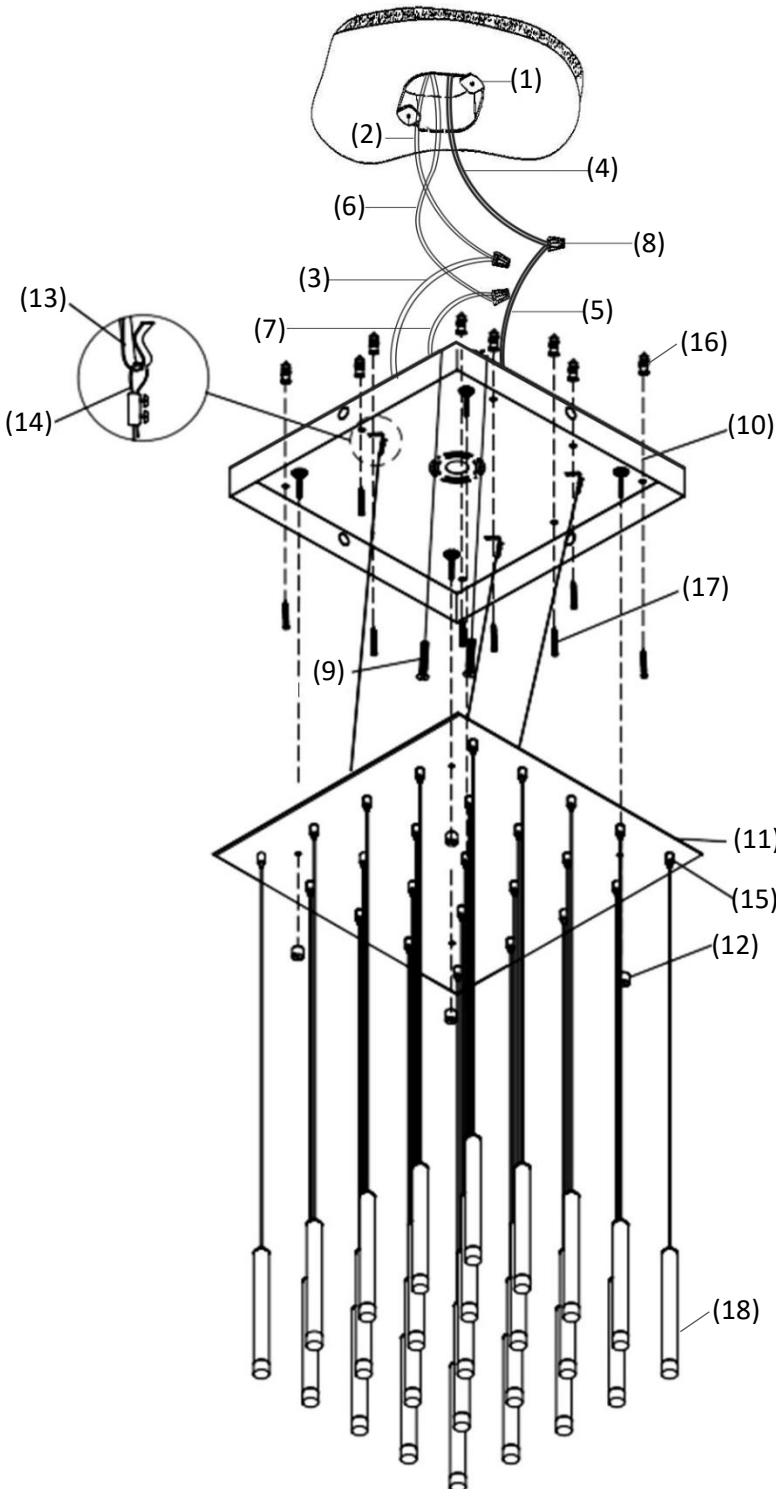
Decorative Finial (#12)
[4 Included]



Anchor (#16)
[8 Included]



Anchor Screw (#17)
[8 Included]



1. OUTLET BOX (By others)
2. WHITE SUPPLY WIRE
3. WHITE FIXTURE WIRE
4. BLACK SUPPLY WIRE
5. BLACK FIXTURE WIRE
6. HOUSING GROUND WIRE
7. FIXTURE GROUND WIRE
8. WIRE CONNECTORS
9. MOUNTING SCREWS
10. CEILING PLATE
11. CANOPY COVER
12. DECORATIVE FINIAL
13. HOOK
14. LOOP
15. GRIPPER
16. DRYWALL ANCHOR
17. ANCHOR SCREW
18. LIGHT GUIDES