

STARBURST CHANDELIER

STB-29C (29")

CAUTION

TURN OFF THE MAIN POWER AT THE CIRCUIT BREAKER BEFORE INSTALLING THE FIXTURE IN ORDER TO PREVENT POSSIBLE SHOCK

IF YOU ARE UNFAMILIAR WITH PROPER ELECTRICAL WIRING CONNECTIONS OBTAIN THE SERVICES OF A QUALIFIED ELECTRICIAN

GENERAL

- Read all instructions carefully for safe operation and installation.
- All electrical connections must be in accordance with local and national electrical code (N.E.C) standards.
- Remove the fixture and the mounting package from the box and make sure that no parts are missing by referencing the illustrations on the installation instruction. Please contact Blackjack Lighting if any parts are missing or damaged.
- This product is suitable for damp locations.

INSTALLATION

PREPARATION

1. Remove the fixture from its box. You will see one 6" stem and three 12" (19) stems. (This fixture can be ordered with additional 24" stems. Each fixture provides a 12' wire length to accept up to 4 additional stem sections (8 feet) for a maximum stem length of 11'6"). Select the suitable size of stems and connect them to the desired length you need to hang the fixture. Secure the stems to the threaded hang-straight(18) attached to the canopy(11). Pull the fixture wire through the stems, and if necessary cut the excess wire.
2. Remove the wiring barrier plate(21) from the ceiling plate(10) by loosening the two screws(13).(Shown in Fig.2)
3. Pull the white and black supply wires(2&4) and the house ground wire(6) out from the outlet box(1). Carefully pull them through the large center hole in the ceiling plate(10).

Figure 1.

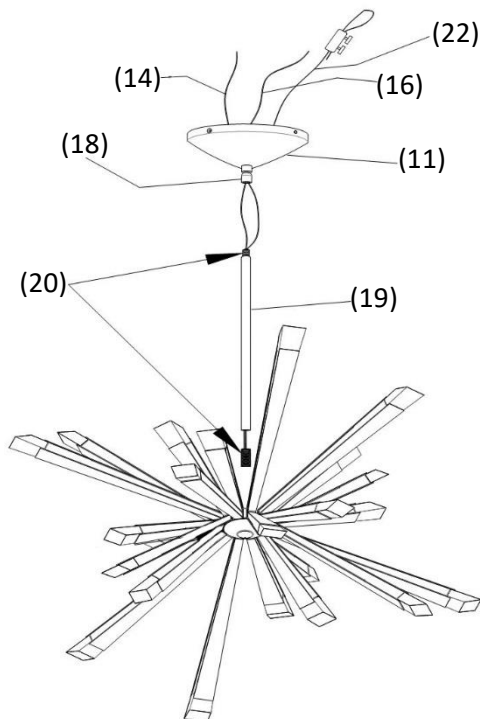
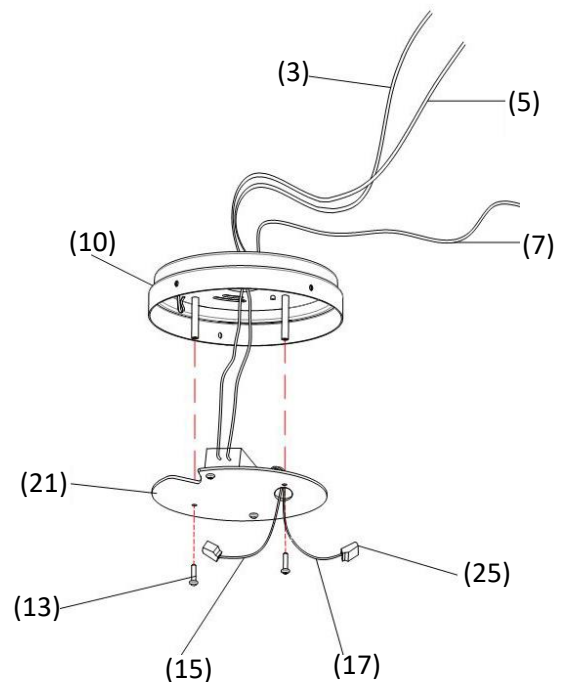


Figure 2.



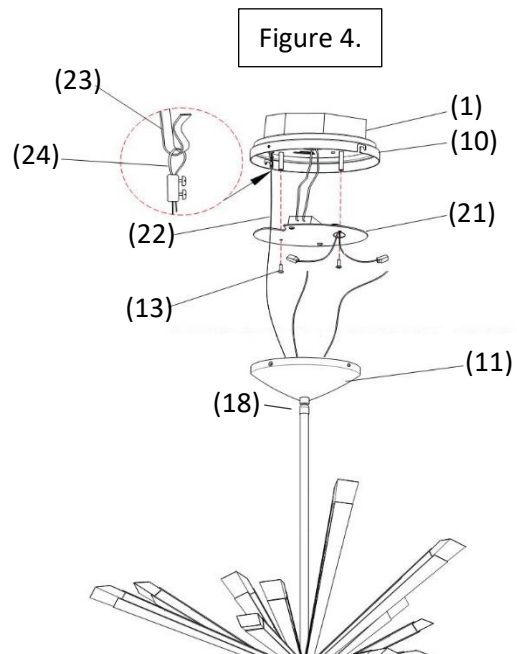
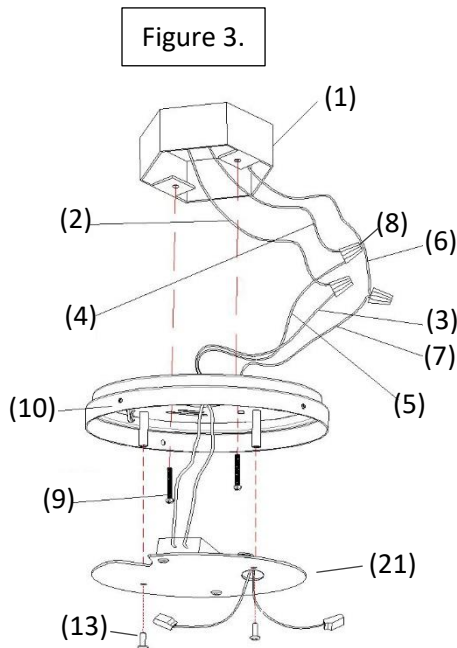
MOUNTING

4. Attach the ceiling plate(10) to the outlet box(1). Insert the mounting screws(9) through the slots on the ceiling plate(10), and secure them into the outlet box tightly(1). (Shown in Fig.3)

ELECTRICAL CONNECTIONS

5. Using the wire connectors(8), connect the white supply wire(2) from outlet box to the white fixture wire(3); connect the black supply wire(4) from outlet box to the black fixture wire(5); and connect the house ground wire(6) to the fixture ground wire(7). Carefully tuck all the wires back into the outlet box(1).

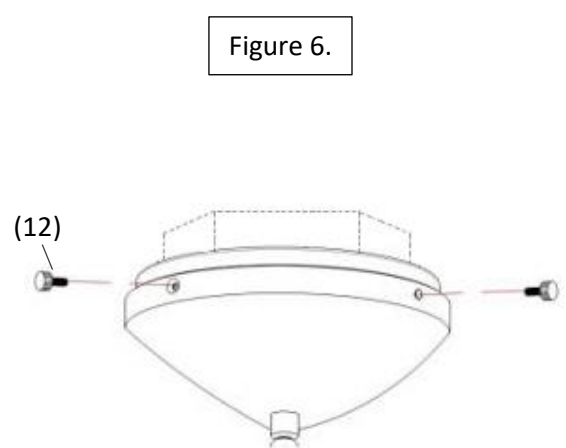
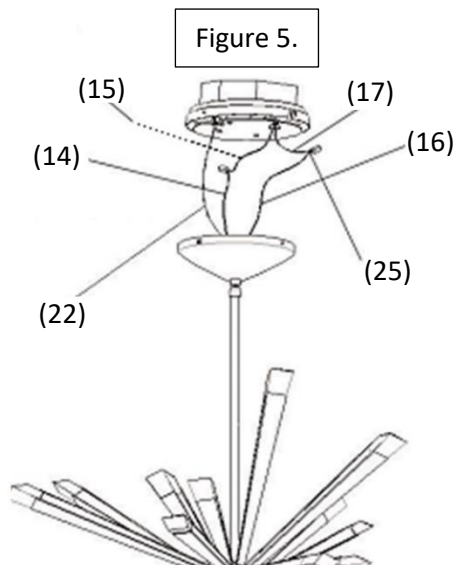
6. To hang the fixture, use the lifting rope(22) as a support. Attach the loop(24) on the lifting rope(22) to the hook(23) secured on the ceiling plate(10). Install the wiring barrier plate(21) onto the ceiling plate(10) by fastening the two screws(13). (Shown in Fig.4)



7. Insert the red+ fixture wire(14) into the quick connectors(25) at the end of the driver red+ DC out wire(15); Insert the black- fixture wire(16) into the quick connectors(25) at the end of the driver black- DC out wire(17). (Shown in Fig.5) **IMPORTANT – DO NOT CONNECT THE BLACK(-) OR RED(+) LOW VOLTAGE TO THE BLACK OR WHITE LINE VOLTAGE SUPPLY WIRE. THIS WILL RESULT IN SEVERE DAMAGE TO THE LIGHTING FIXTURE.**

FINAL ASSEMBLY

8. Check all the wires after they are connected. Then attach the pendant fixture onto the ceiling plate(10). Align the holes on the side of the canopy cover(11) with the holes on the side of the ceiling plate(10), then secure them together with the three thumbscrews(12). (Shown in Fig.6)



DIMMING

- Fixture Dimming Type: TRIAC, ELV, 0-10V dimmable.
- For recommended dimmers see <https://www.blackjacklighting.com/dimming-information>

HARDWARE



Wire Connectors (#8)
[3 Included]

Mounting Screws (#9)
[2 Included]

Thumbscrew (#12)
[3 Included]

Screws (#13)
[2 Included]

Quick Connectors (#25)
[2 Included]

1. OUTLET BOX (by others)
2. WHITE SUPPLY WIRE
3. WHITE FIXTURE WIRE
4. BLACK SUPPLY WIRE
5. BLACK FIXTURE WIRE
6. HOUSE GROUND WIRE
7. FIXTURE GROUND WIRE
8. WIRE CONNECTORS
9. MOUNTING SCREWS
10. CEILING PLATE
11. CANOPY COVER
12. THUMBSCREWS
13. SCREWS
14. RED+ FIXTURE WIRE
15. RED+ DC OUT WIRE
16. BLACK- FIXTURE WIRE
17. BLACK-DC OUT WIRE
18. HANG-STRAIGHT SWIVEL
19. STEM
20. 1/8" THREADED NIPPLE
21. WIRING BARRIER PLATE
22. LIFTING ROPE
23. HOOK
24. LOOP
25. QUICK CONNECTORS