

QUADRA VANITY

QDR-26V (26")

CAUTION

TURN OFF THE MAIN POWER AT THE CIRCUIT BREAKER BEFORE INSTALLING THE FIXTURE IN ORDER TO PREVENT POSSIBLE SHOCK

IF YOU ARE UNFAMILIAR WITH PROPER ELECTRICAL WIRING CONNECTIONS OBTAIN THE SERVICES OF A QUALIFIED ELECTRICIAN

GENERAL

- Read all instructions carefully for safe operation and installation.
- All electrical connections must be in accordance with local and national electrical code (N.E.C) standards.
- Remove the fixture and the mounting package from the box and make sure that no parts are missing by referencing the illustrations on the installation instruction. Please contact Blackjack Lighting if any parts are missing or damaged.
- This product is suitable for damp locations.

INSTALLATION**PREPARATION**

1. Remove the fixture from its box.
2. Remove the fixture pan(11) from the back panel(10) by loosening the two decorative screws(12).

MOUNTING

3. Pull the supply wires(2&4) and the house ground wire(6) out of the outlet box(1). Thread them through the large center hole in the back panel(10).
4. Place the back panel(10) over the outlet box(1). Insert the mounting screws(9) through the slots in the back panel(10) , then tightly secure them into the outlet box(1).

ELECTRICAL CONNECTIONS

5. Using the wire connectors(8) connect the white supply wire(2) to the white fixture wire(3); connect the black supply wire(4) to the black fixture wire(5); and connect the house ground wire(6) to the fixture ground wire(7).

FINAL ASSEMBLY

6. To secure the fixture pan(11) to the back panel(10), align the holes on the top and bottom of the fixture pan(11) and the holes on the top and bottom of the back panel(10). Then insert and tighten the two screws(12).

DIMMING

- Fixture Dimming Type: TRIAC dimming
- For recommended dimmers see <https://www.blackjacklighting.com/dimming-information>

HARDWARE



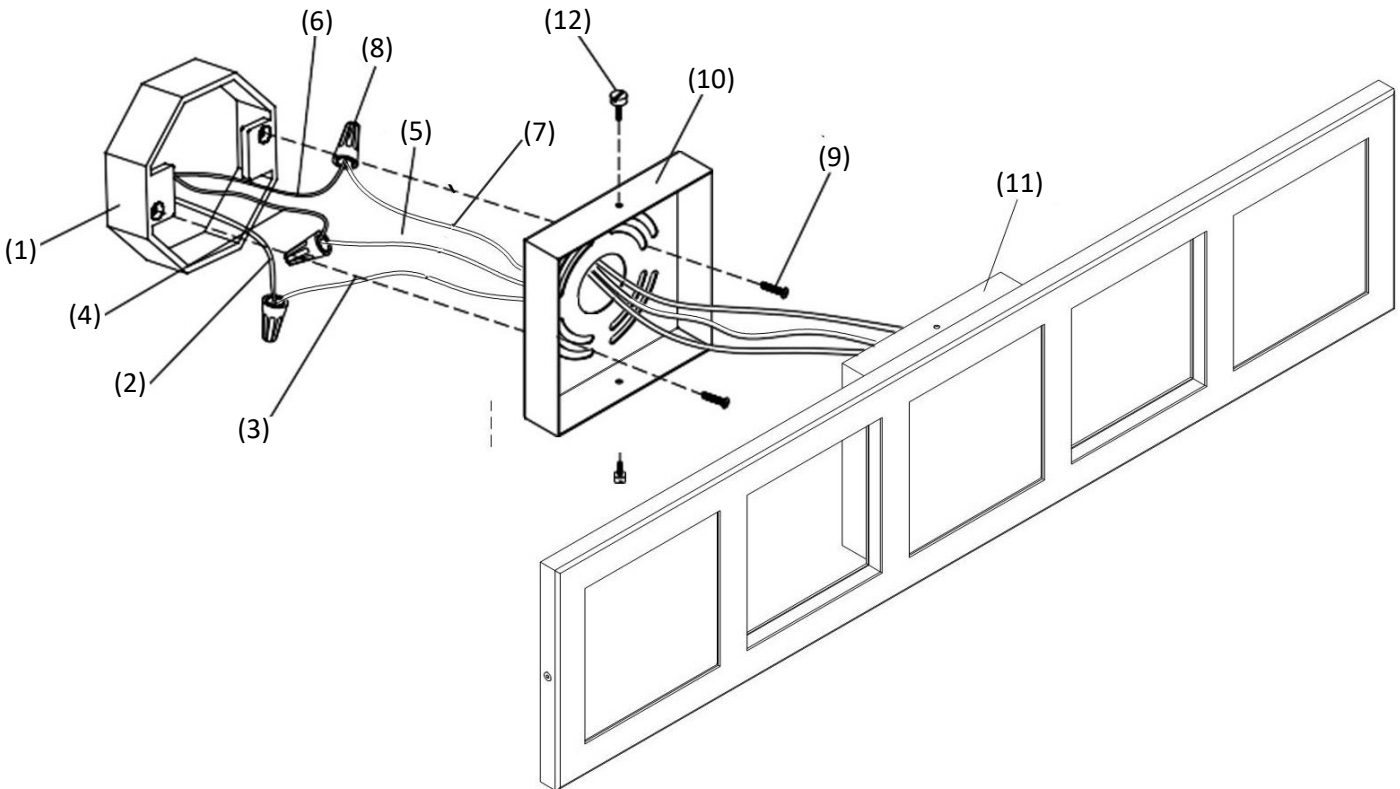
Wire Connectors (#8)
[3 Included]



Mounting Screws (#9)
[2 Included]



Decorative Screws (#12)
[2 Included]



- | | |
|---------------------------|------------------------|
| 1. OUTLET BOX (by others) | 7. FIXTURE GROUND WIRE |
| 2. WHITE SUPPLY WIRE | 8. WIRE CONNECTORS |
| 3. WHITE FIXTURE WIRE | 9. MOUNTING SCREWS |
| 4. BLACK SUPPLY WIRE | 10. BACK PANEL |
| 5. BLACK FIXTURE WIRE | 11. FIXTURE PAN |
| 6. HOUSE GROUND WIRE | 12. DECORATIVE SCREWS |