

DOUBLE QUADRA PENDANT

QDR-11P (11")

CAUTION

TURN OFF THE MAIN POWER AT THE CIRCUIT BREAKER BEFORE INSTALLING THE FIXTURE IN ORDER TO PREVENT POSSIBLE SHOCK

IF YOU ARE UNFAMILIAR WITH PROPER ELECTRICAL WIRING CONNECTIONS OBTAIN THE SERVICES OF A QUALIFIED ELECTRICIAN

GENERAL

- Read all instructions carefully for safe operation and installation.
- All electrical connections must be in accordance with local and national electrical code (N.E.C) standards.
- Remove the fixture and the mounting package from the box and make sure that no parts are missing by referencing the illustrations on the installation instruction. Please contact Blackjack Lighting if any parts are missing or damaged.
- This product is suitable for damp locations.

INSTALLATION**PREPARATION**

1. Remove the fixture from its box.
2. Separate the ceiling plate(10) from the canopy cover(11) by loosening the two decorative nuts(16).

MOUNTING

3. Pull the supply wires(2&4) and the house ground wire(6) out of the outlet box(1). Thread the wires through the hole in the center of the cross bar(12), then install the cross bar(12) to the outlet box(1) using the two mounting screws(9).
4. Place the ceiling plate(10) over the cross bar(12) through the two outward screws(13) and thread the wires through the large hole in the center of the ceiling plate(10). Secure the ceiling plate(10) to the cross bar(12) with the two nuts(15).

ELECTRICAL CONNECTIONS

5. Using the wire connectors(8), connect the white supply wire(2) to the white fixture wire(3); connect the black supply wire(4) to the black fixture wire(5); and connect the house ground wire(6) to the fixture ground wire(7).

FINAL ASSEMBLY

6. Adjust the two suspension cables(18) to the appropriate length by either pushing the individual cables up into the adjustable gripper(17) or pushing the small barrel upward (located on the bottom of the adjustable gripper(17)). This will release the cable tension and allow the suspended cable(18) to increase in length.
7. Once the cables(18) are adjusted to approximate mounting length use the attached twist ties to retain the excess cable into neat loops that will fit inside the canopy cover(11).
8. To secure the canopy cover(11) to the ceiling plate(10) align the holes on the bottom of the canopy cover(11) with the back plate screws(14). Then tighten the two decorative nuts(16) over the ceiling plate screws(14) to secure them together.
9. Once the canopy(11) is in place, fine tune the fixture suspension cable(18) lengths using the adjustable grippers(17) so that the fixture is level and the two cables are even in length. For additional fine tuning of the pendant alignment, with two fingers slightly twist one of the suspension cables(18) right near the gripper(17) until the pendant rotates to the correct facing direction. (Twist the right cable to the right to rotate the fixture to the right. Twist the left cable to the left to rotate the fixture to the left).

DIMMING

- Fixture Dimming Type: TRIAC dimmable
- For recommended dimmers see <https://www.blackjacklighting.com/dimming-information>

HARDWARE



Wire Connectors (#8)
[3 Included]



Mounting Screws (#9)
[2 Included]



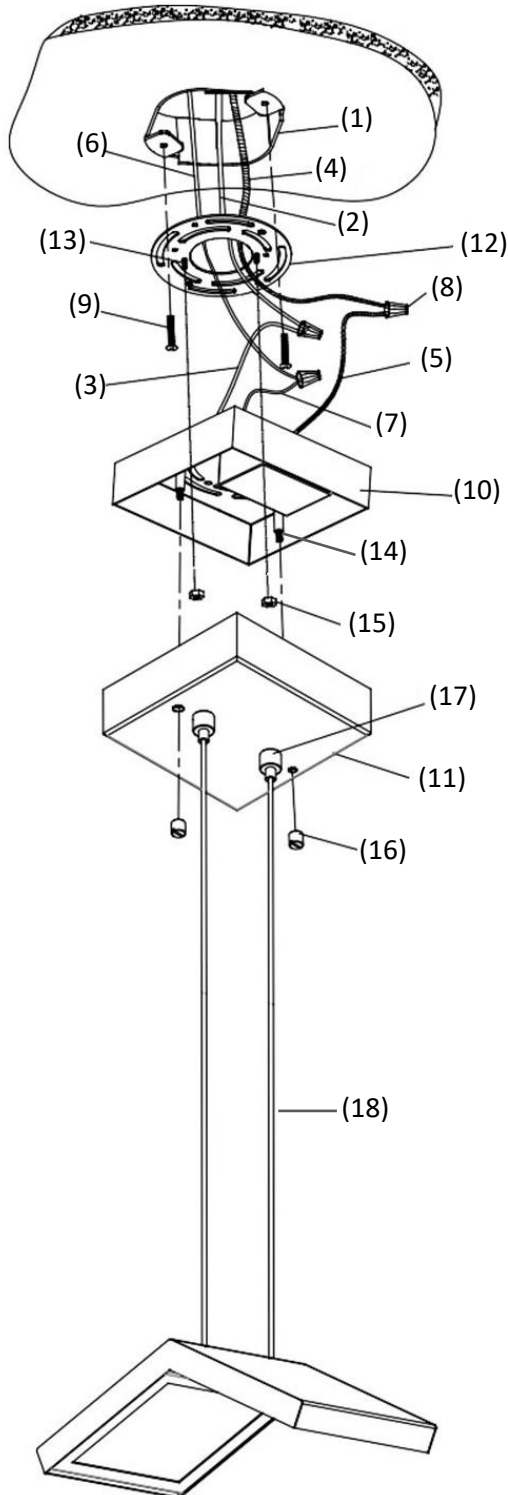
Outward Screws (#13)
[2 Included]



Nut (#15)
[2 Included]



Decorative Nut (#16)
[2 Included]



1. OUTLET BOX (by others)
2. WHITE SUPPLY WIRE
3. WHITE FIXTURE WIRE
4. BLACK FIXTURE WIRE
5. BLACK SUPPLY WIRE
6. HOUSE GROUND WIRE
7. FIXTURE GROUND WIRE
8. WIRE CONNECTORS
9. MOUNTING SCREWS
10. CEILING PLATE
11. CANOPY COVER
12. CROSS BAR
13. OUTWARD SCREWS
14. CEILING PLATE SCREWS
15. NUT
16. DECORATIVE NUT
17. GRIPPER
18. SUSPENSION CABLE