

**QUADRA PENDANT**

QDR-06P (6")

**CAUTION**

TURN OFF THE MAIN POWER AT THE CIRCUIT BREAKER BEFORE INSTALLING THE FIXTURE IN ORDER TO PREVENT POSSIBLE SHOCK

IF YOU ARE UNFAMILIAR WITH PROPER ELECTRICAL WIRING CONNECTIONS OBTAIN THE SERVICES OF A QUALIFIED ELECTRICIAN

**GENERAL**

- Read all instructions carefully for safe operation and installation.
- All electrical connections must be in accordance with local and national electrical code (N.E.C) standards.
- Remove the fixture and the mounting package from the box and make sure that no parts are missing by referencing the illustrations on the installation instruction. Please contact Blackjack Lighting if any parts are missing or damaged.
- This product is suitable for damp locations.

**INSTALLATION****PREPARATION**

1. Remove the fixture from its box.
2. Separate the ceiling plate(10) from the canopy cover(11) by loosening the two decorative nuts(13).

**MOUNTING**

3. Pull the supply wires(2&4) and the house ground wire(6) out of the outlet box(1) and thread them through the large center hole in the ceiling plate(10)
4. Place the ceiling plate(10) over the outlet box(1). Insert the mounting screws(9) through the slots in the ceiling plate(10), then tightly secure them into the outlet box(1).

**ELECTRICAL CONNECTIONS**

5. Using the wire connectors(8), connect the white supply wire(2) to the white fixture wire(3); connect the black supply wire(4) to the black fixture wire(5); and connect the house ground wire(6) to the fixture ground wire(7). After the wires are connected tuck them back into the outlet box(1).

**FINAL ASSEMBLY**

6. Adjust the suspension cables(15) to the appropriate length by either pushing the individual cables(15) up into the adjustable gripper(14) or by pushing the small barrel upward (located on the bottom of the adjustable gripper(14)). This will release the cable tension and allow them to increase in length.
7. Once the cable(15) is adjusted to the approximate mounting length, use the attached twist ties to retain the excess cable into neat loops that will fit inside the canopy cover(11).
8. To secure the canopy cover(11) to the ceiling plate(10), align the holes on the bottom of the canopy cover(11) with the outward screws(12) located in the ceiling plate(10), then tighten the two decorative nuts(13).
9. Once the canopy(11) is in place, fine tune the fixture suspension cable(15) lengths using the adjustable gripper(14) so that the fixture is level and the four cables are even in length.

**DIMMING**

- Fixture Dimming Type: TRIAC dimmable
- For recommended dimmers see <https://www.blackjacklighting.com/dimming-information>

## HARDWARE



### Wire Connectors (#8)

[ 3 Included ]



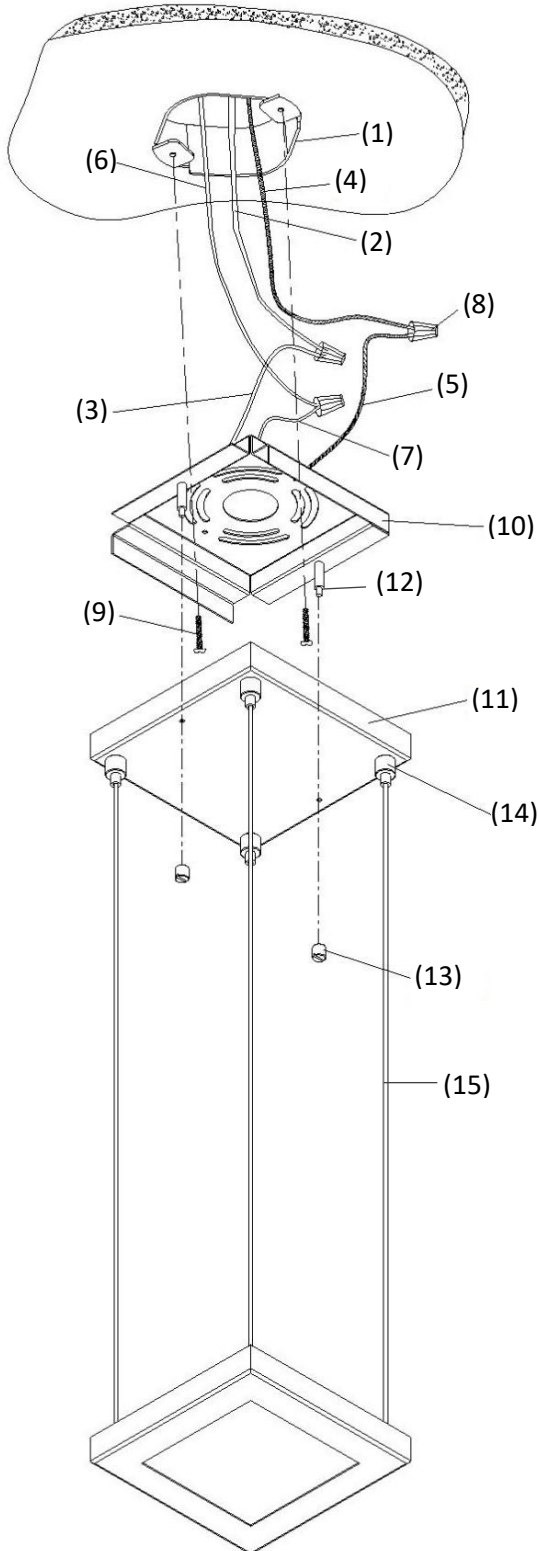
### Mounting Screws (#9)

[ 2 Included ]



### Decorative Nut (#13)

[ 2 Included ]



1. OUTLET BOX (by others)
2. WHITE SUPPLY WIRE
3. WHITE FIXTURE WIRE
4. BLACK SUPPLY WIRE
5. BLACK FIXTURE WIRE
6. HOUSE GROUND WIRE
7. FIXTURE GROUND WIRE
8. WIRE CONNECTORS
9. MOUNTING SCREWS
10. CEILING PLATE
11. CANOPY COVER
12. OUTWARD SCREW
13. DECORATIVE NUT
14. GRIPPER
15. SUSPENSION CABLE