

PRISM SINGLE-TIER CHANDELIER

PSM - 431 (43" 1-Tier)

CAUTION

TURN OFF THE MAIN POWER AT THE CIRCUIT BREAKER BEFORE INSTALLING THE FIXTURE IN ORDER TO PREVENT POSSIBLE SHOCK

IF YOU ARE UNFAMILIAR WITH PROPER ELECTRICAL WIRING CONNECTIONS OBTAIN THE SERVICES OF A QUALIFIED ELECTRICIAN

GENERAL

- Read all instructions carefully for safe operation and installation.
- All electrical connections must be in accordance with local and national electrical code (N.E.C) standards.
- Remove the fixture and the mounting package from the box and make sure that no parts are missing by referencing the illustrations on the installation instruction. Please contact Blackjack Lighting if any parts are missing or damaged.
- This product is suitable for damp locations.

INSTALLATION**PREPARATION**

1. Remove the fixture and the 24 pieces of acrylic lens(24) out of the box.
2. Remove the ceiling plate(10) from the canopy cover(11) by loosening the three thumbscrews(12). Then remove the driver plate(21) from the canopy cover(11) by loosening the two driver plate screws(19).

MOUNTING

3. Place the ceiling plate(10) over the outlet box(1). Insert the mounting screws(9) through the slots in the back panel and then tightly secure them into the outlet box.
4. Pull the supply wires(2&4) and the house ground wire(6) out of the outlet box(1) and thread them through the large center hole in the ceiling plate(10)
5. Temporarily suspend the canopy cover(11) from the ceiling plate(10) by attaching the support loop(18) to the mating hook(17).(attached to the ceiling plate(10)).

ELECTRICAL CONNECTIONS

6. Insert the red+ fixture wire(14) into the quick connectors(22) at the end of the red+ driver DC out wire(13); Insert the black- fixture wire(16) into the quick connectors(22) at the end of the driver black- DC out wire(15). Attach the driver plate(21) to the canopy cover(11) with the driver plate screws(19). **IMPORTANT – DO NOT CONNECT THE BLACK(-) OR THE RED(+) LOW VOLTAGE WIRES TO THE BLACK OR WHITE LINE VOLTAGE SUPPLY WIRES. THIS WILL RESULT IN SEVERE DAMAGE TO THE LIGHTING FIXTURE.**
7. Using the wire connectors(8), connect the white supply wire(2) to the white fixture wire(3); connect the black supply wire(4) to the black fixture wire(5); and connect the house ground wire(6) to the fixture ground wire(7). Carefully tuck the wires back into the outlet box(1).

FINAL ASSEMBLY

8. Determine the appropriate length of each aircraft cable (if in doubt about exact length needed, leave a little extra cable until the final installation of canopy cover(11). Push the excess cable up into the canopy by pressing the small barrel of the gripper(23) upward. This will release the cable tension and allow the cables to be pulled through the gripper(23). Roll excess aircraft cables into a small loop inside the canopy. Wrap the supplied Velcro strap around the cable loop to keep the excess aircraft cables from falling outside of the canopy cover(11).
9. Once all of the wires are carefully placed inside the canopy cover(11); align the holes in the side of the canopy cover(11) with the holes on the side of the ceiling plate(10). Then secure them together with the three thumbscrews(12).
10. When attaching the acrylic lenses(24) to the die-cast socket(25) first locate the longer of the two grooves on the bottom of the acrylic lens(24). Then align the grooves of the lenses(24) with the tabs in the die-cast socket(25) making sure to align the longer groove with the back tab (the tab closer to the center of the fixture). Place the acrylic lens(24) grooves into the tabs in

the die casting(25), then carefully rotate the lenses(24) counterclockwise until the acrylic lens(24) snaps into place.

TROUBLE SHOOTING

If a single light does not light: Un-screw the acrylic lens(24) from die-cast socket(25). Check that all the screws on the LED board are tight. Check that the wires are firmly attached to the PC board. If wire is unattached contact Blackjack for a replacement LED board and installation instructions.

If the whole fixture does not light up: Turn off the power and suspend the fixture from its internal mounting hooks (17/18). Double check all wiring. Be sure to follow red to red and black to black. Check that 0-10V wire ends are covered (if not in use).

DIMMING

- Fixture Dimming Type: TRIAC, ELV, 0-10V dimmable.
- For recommended dimmers see <https://www.blackjacklighting.com/dimming-information>

HARDWARE



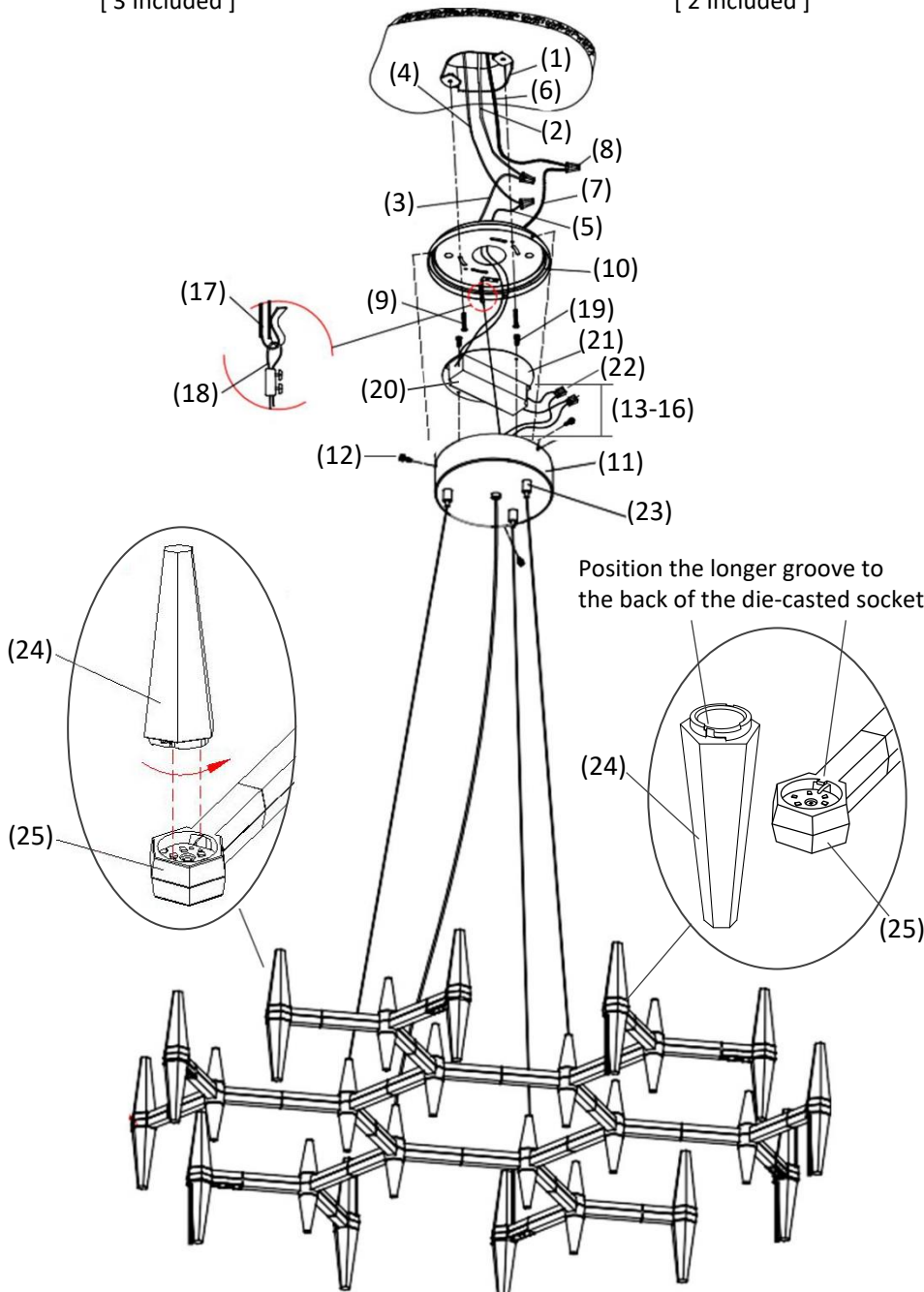
Wire Connectors (#8)
[3 Included]



Mounting Screws (#9)
[2 Included]



Thumb Screws (#12)
[3 Included]



1. OUTLET BOX (by others)
2. WHITE SUPPLY WIRE
3. WHITE FIXTURE WIRE
4. BLACK SUPPLY WIRE
5. BLACK FIXTURE WIRE
6. HOUSE GROUND WIRE
7. FIXTURE GROUND WIRE
8. WIRE CONNECTORS
9. MOUNTING SCREWS
10. CEILING PLATE
11. CANOPY COVER
12. THUMBSCREWS
13. RED+ DC DRIVER OUT WIRE
14. RED+ FIXTURE WIRE
15. BLACK- DC DRIVER OUT WIRE
16. BLACK- FIXTURE WIRE
17. HOOK
18. LOOP
19. DRIVER PLATE SCREWS
20. DRIVER
21. DRIVER PLATE
22. QUICK CONNECTORS
23. GRIPPER
24. ACRYLIC LENS
25. DIE-CASTING SOCKET