

PRISM MULTI-TIER CHANDELIER

PSM - 283 (28" 3-Tier)

CAUTION

TURN OFF THE MAIN POWER AT THE CIRCUIT BREAKER BEFORE INSTALLING THE FIXTURE IN ORDER TO PREVENT POSSIBLE SHOCK

IF YOU ARE UNFAMILIAR WITH PROPER ELECTRICAL WIRING CONNECTIONS OBTAIN THE SERVICES OF A QUALIFIED ELECTRICIAN

GENERAL

- Read all instructions carefully for safe operation and installation.
- All electrical connections must be in accordance with local and national electrical code (N.E.C) standards.
- Remove the fixture and the mounting package from the box and make sure that no parts are missing by referencing the illustrations on the installation instruction. Please contact Blackjack Lighting if any parts are missing or damaged.
- This product is suitable for damp locations.

INSTALLATION**PREPARATION**

1. Remove the fixture from its box. You will see one 6" stem and three 12" stems. (This fixture can be ordered with additional 24" stems if required). Each fixture provides a 12 foot wire length to accept up to 4 additional stem sections (8 feet) for a maximum stem length of 11'6". Select the suitable size of stems and connect them to the desired length you need to hang the fixture. Secure the stems(24) to the threaded hang-straight swivel(25) attached to the canopy cover(11). Pull the fixture wires through the stems and if necessary, cut the excess wire.
2. Remove the ceiling plate(10) from the canopy cover(11) by loosening the three thumbscrews(12).
3. Remove the driver plate(23) from the canopy cover(11) by loosening the two screws(19).

MOUNTING

4. Place the ceiling plate(10) over the outlet box(1). Insert the mounting screws(9) through the slots in the ceiling plate(10), then tightly secure them into the outlet box(1).
5. Pull the supply wires(2&4) and the house ground wire(6) out of the outlet box(1) and thread them through the large center hole in the ceiling plate(10)

ELECTRICAL CONNECTIONS

6. Temporarily suspend the canopy cover(11) from the ceiling plate(10) by attaching the support loop(14) to the mating hooks(13).(attached to the ceiling plate(10)).
7. Insert the red+ fixture wire(14) into the quick connectors(22) at the end of the red+ driver DC out wire(13); Insert the black- fixture wire(16) into the quick connectors(22) at the end of the black- driver DC out wire(15). **IMPORTANT – DO NOT CONNECT THE BLACK(-) OR THE RED(+) LOW VOLTAGE WIRES TO THE BLACK OR WHITE LINE VOLTAGE SUPPLY WIRES. THIS WILL RESULT IN SEVERE DAMAGE TO THE LIGHTING FIXTURE.**
8. Using the wire connectors(8), connect the white supply wire(2) to the white fixture wire(3); connect the black supply wire(4) to the black fixture wire(5); and connect the house ground wire(6) to the fixture ground wire(7). Carefully tuck all of the wires back into the outlet box(1).

FINAL ASSEMBLY

9. Make sure all of the wires are carefully placed inside the canopy cover(11), then align the holes on the side of the canopy cover(11) with the holes on the side of the ceiling plate(10). Secure them together with the three thumbscrews(12).
10. When attaching the acrylic lenses(20) to the die-cast sockets(21) first locate the longer of the two grooves on the bottom of the acrylic lens(20). Then align the grooves of the light guides(20) with the tabs in the die-cast sockets(21) making sure to align the longer groove with the back tab (the tab closer to the center of the fixture). Place the acrylic lens(20) grooves into the tabs in the die casting(21), then carefully rotate the lenses(20) counterclockwise until it snaps into place.

TROUBLE SHOOTING

If a single light does not light: Un-screw the acrylic lens(20) from die-cast socket(21). Check that all the screws on the LED board are tight. Check that the wires are firmly attached to the PC board. If wire is unattached contact Blackjack for a replacement LED board and installation instructions.

If the whole fixture does not light up: Turn off the power and suspend the fixture from its internal mounting hooks (17/18). Double check all wiring. Be sure to follow red to red and black to black. Check that 0-10V wire ends are covered (if not in use).

DIMMING

- Fixture Dimming Type: TRIAC , ELV or 0-10V dimmable.
- For recommended dimmers see <https://www.blackjacklighting.com/dimming-information>

HARDWARE



Wire Connectors (#8)
[3 Included]



Mounting Screws (#9)
[2 Included]



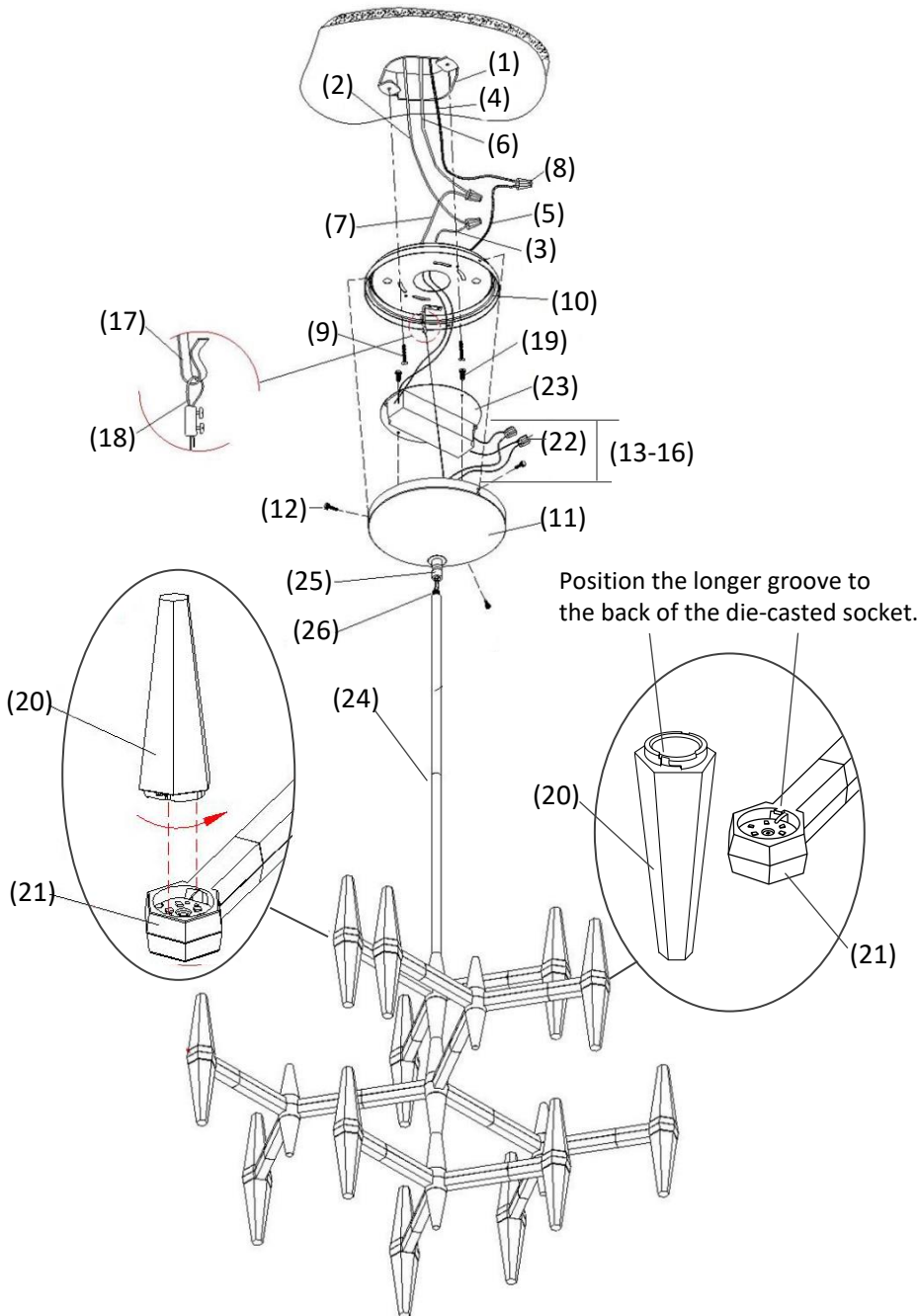
Thumbscrews (#12)
[3 Included]



Driver Plate Screws (#19)
[2 Included]



Quick Connectors (#22)
[2 Included]



1. OUTLET BOX (by others)
2. WHITE SUPPLY WIRE
3. WHITE FIXTURE WIRE
4. BLACK SUPPLY WIRE
5. BLACK FIXTURE WIRE
6. HOUSE GROUND WIRE
7. FIXTURE GROUND WIRE
8. WIRE CONNECTORS
9. MOUNTING SCREWS
10. CEILING PLATE
11. CANOPY COVER
12. THUMBSCREWS
13. RED+ DC DRIVER OUT WIRE
14. RED+ FIXTURE WIRE
15. BLACK- DC DRIVER OUT WIRE
16. BLACK- FIXTURE WIRE
17. HOOK
18. LOOP
19. DRIVER PLATE SCREWS
20. ACRYLIC LENS
21. DIE-CASTING PARTS
22. QUICK CONNECTORS
23. DRIVER PLATE
24. STEM
25. HANG-STRAIGHT SWIVEL
26. 1/8" THREADED NIPPLE