

MILO VANITY

MLO-36V (36")

CAUTION

TURN OFF THE MAIN POWER AT THE CIRCUIT BREAKER BEFORE INSTALLING THE FIXTURE IN ORDER TO PREVENT POSSIBLE SHOCK

IF YOU ARE UNFAMILIAR WITH PROPER ELECTRICAL WIRING CONNECTIONS OBTAIN THE SERVICES OF A QUALIFIED ELECTRICIAN

GENERAL

- Read all instructions carefully for safe operation and installation.
- All electrical connections must be in accordance with local and national electrical code (N.E.C) standards.
- Remove the fixture and the mounting package from the box and make sure that no parts are missing by referencing the illustrations on the installation instruction. Please contact Blackjack Lighting if any parts are missing or damaged.
- This product is suitable for damp locations.

INSTALLATION**PREPARATION**

1. Remove the fixture from its box.
2. Remove the fixture pan(11) from the back panel(10) by loosening the two screws(12).
3. Disconnect the white micro connector(14) (inside back panel(10)).
4. Pull the supply wires(2&4) and the house ground wire(6) out of the outlet box(1).

ELECTRICAL CONNECTIONS

5. Using the wire connectors(8), connect the white supply wire(2) to the white fixture wire(3); connect the black supply wire(4) to the black fixture wire(5); and connect the house ground wire(6) to the fixture ground wire(7).

MOUNTING

6. Place the back panel(10) over the outlet box(1). Insert mounting screws(9) through the slots in the back panel(10) and then tightly secure the mounting screws(9) into the outlet box(1). The back panel(10) can be rotated 90 degrees (if required) to allow the driver housing easier access into the outlet box(1).

FINAL ASSEMBLY

7. Re-connect the white micro connector(14).
8. To secure the fixture pan/ acrylic lens assembly(11/13) to the back panel(10) align the holes on the sides of the assembly(11/13) with the holes on the sides of the back panel(10). Then insert and tighten the two screws(12).

DIMMING

- Fixture Dimming Type: TRIAC dimmable
- For recommended dimmers see <https://www.blackjacklighting.com/dimming-information>

HARDWARE



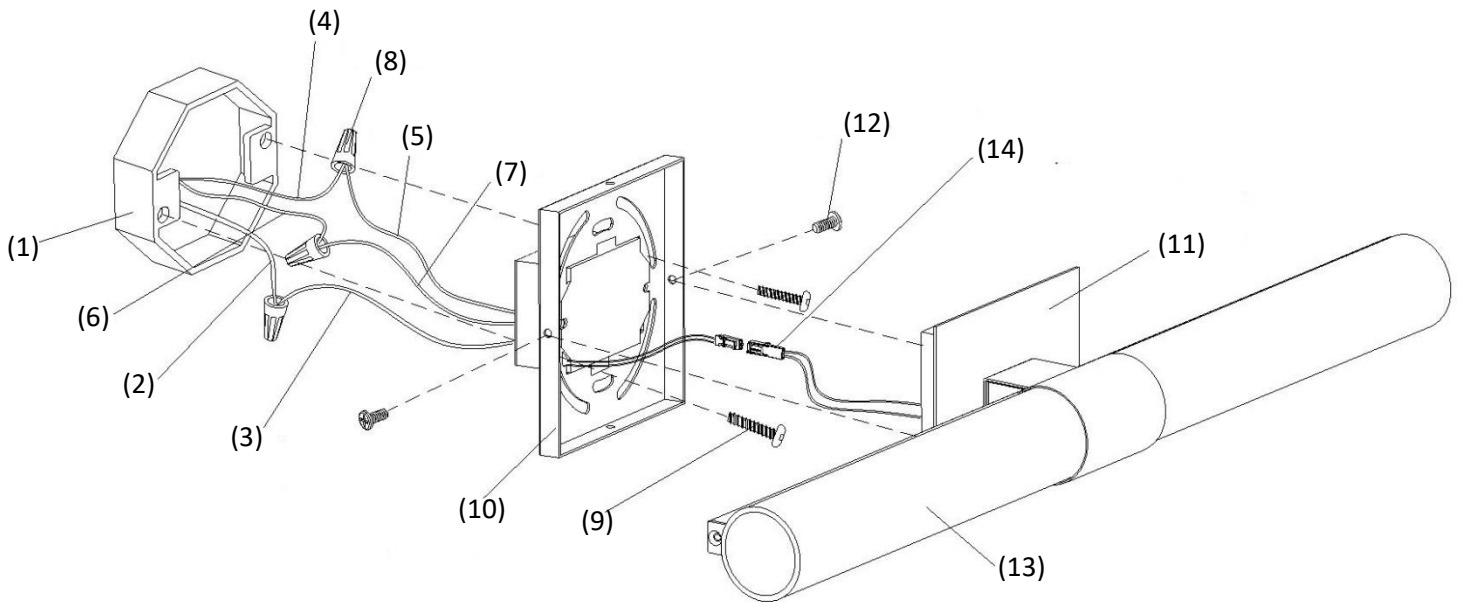
Wire Connectors (#8)
[3 Included]



Mounting Screws (#9)
[2 Included]



Screws (#12)
[2 Included]



1. OUTLET BOX (by others)
2. WHITE SUPPLY WIRE
3. WHITE FIXTURE WIRE
4. BLACK SUPPLY WIRE
5. BLACK FIXTURE WIRE
6. HOUSE GROUND WIRE
7. FIXTURE GROUND WIRE

8. WIRE CONNECTORS
9. MOUNTING SCREWS
10. BACK PANEL
11. FIXTURE PAN
12. SCREWS
13. ACRYLIC LENS
14. WHITE MICRO CONNECTOR