

LINO SCONCE

LIN-14S (14")

CAUTION

TURN OFF THE MAIN POWER AT THE CIRCUIT BREAKER BEFORE INSTALLING THE FIXTURE IN ORDER TO PREVENT POSSIBLE SHOCK

IF YOU ARE UNFAMILIAR WITH PROPER ELECTRICAL WIRING CONNECTIONS OBTAIN THE SERVICES OF A QUALIFIED ELECTRICIAN

GENERAL

- Read all instructions carefully for safe operation and installation.
- All electrical connections must be in accordance with local and national electrical code (N.E.C) standards.
- Remove the fixture and the mounting package from the box and make sure that no parts are missing by referencing the illustrations on the installation instruction. Please contact Blackjack Lighting if any parts are missing or damaged.
- This product is suitable for damp locations.

INSTALLATION**PREPARATION**

1. Remove the fixture from its box.
2. Remove the fixture pan(11) from the back panel(10) by loosening the two screws(12).

MOUNTING

3. Disconnect the white micro connector(15) inside of the back panel(10).
4. To secure the glass lens(13) to the fixture pan(11) insert the two mounting posts(16) into the fixture pan(11), then attach the two nuts(14).
5. Pull the supply wires(2&4) and the house ground wire(6) out of the outlet box(1).

ELECTRICAL CONNECTIONS

6. Using the wire connectors(8), connect the white supply wire(2) to the white fixture wire(3); connect the black supply wire(4) to the black fixture wire(5); and connect the house ground wire(6) to the fixture ground wire(7).

FINAL ASSEMBLY

7. Place the back panel(10) over the outlet box(1). Insert the mounting screws(9) through the slots in the back panel. Then tightly secure them into the outlet box(1). The back panel(10) can be rotated 90 degrees (if required) to allow the driver housing easier access into the outlet box(1).
8. Re-connect the white micro connector(15) inside back panel(10).
9. Secure the fixture pan/ glass lens assembly(11/13) to the back panel(10) by attaching the two screws(12).

DIMMING

- Fixture Dimming Type: TRIAC dimming
- For recommended dimmers see <https://www.blackjacklighting.com/dimming-information>

HARDWARE



Wire Connectors (#8)
[3 Included]



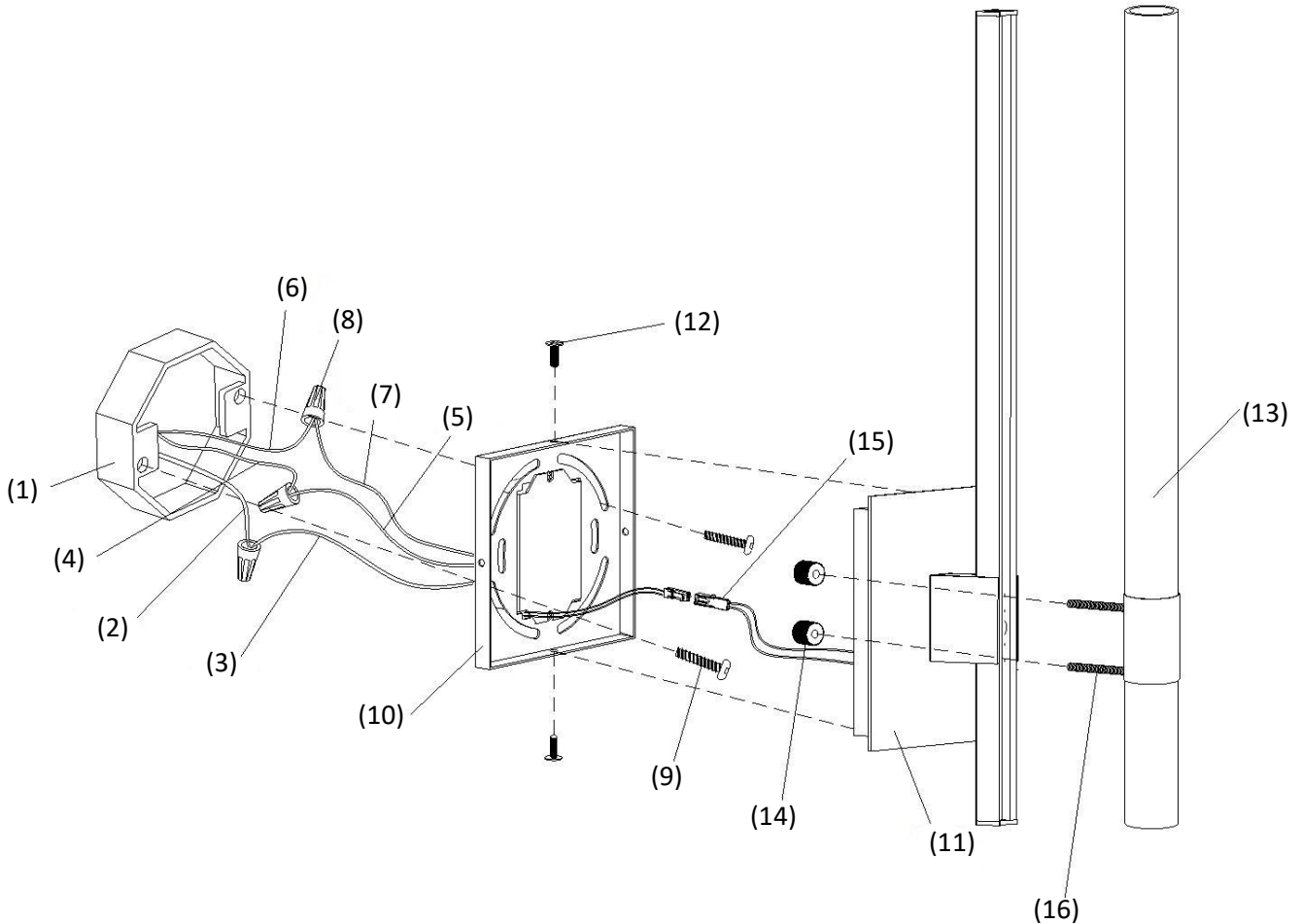
Mounting Screws (#9)
[2 Included]



Screws (#12)
[2 Included]



Nut (#14)
[2 Included]



- | | |
|---------------------------|---------------------------|
| 1. OUTLET BOX (by others) | 9. MOUNTING SCREWS |
| 2. WHITE SUPPLY WIRE | 10. BACK PANEL |
| 3. WHITE FIXTURE WIRE | 11. FIXTURE PAN |
| 4. BLACK SUPPLY WIRE | 12. SCREWS |
| 5. BLACK FIXTURE WIRE | 13. GLASS LENS |
| 6. HOUSE GROUND WIRE | 14. NUT |
| 7. FIXTURE GROUND WIRE | 15. WHITE MICRO CONNECTOR |
| 8. WIRE CONNECTORS | 16. MOUNTING POSTS |