

IRIDIUM PENDANT

IRD-36C (36")

CAUTION

TURN OFF THE MAIN POWER AT THE CIRCUIT BREAKER BEFORE INSTALLING THE FIXTURE IN ORDER TO PREVENT POSSIBLE SHOCK

IF YOU ARE UNFAMILIAR WITH PROPER ELECTRICAL WIRING CONNECTIONS OBTAIN THE SERVICES OF A QUALIFIED ELECTRICIAN

GENERAL

- Read all instructions carefully for safe operation and installation.
- All electrical connections must be in accordance with local and national electrical code (N.E.C) standards.
- Remove the fixture and the mounting package from the box and make sure that no parts are missing by referencing the illustrations on the installation instruction. Please contact Blackjack Lighting if any parts are missing or damaged.
- This product is suitable for damp locations.

INSTALLATION

PREPARATION

1. Remove the fixture from its box. You will see one 6" stem and three 12" stems(24). (This fixture can be ordered with additional 24" stems if required). Each fixture provides a 12 foot wire length to accept up to 4 additional stem sections (8 feet) for a maximum stem length of 11'6". Select the suitable size of stems and connect them to the desired length you need to hang the fixture. Secure the stems to the threaded hang-straight(23) attached to the canopy. Pull the fixture wire through the stems(24) and if necessary cut the excess wire.
2. Remove the wiring barrier plate(14) from the canopy cover(11) by loosening the two screws(26). (As shown in Fig.2)

Figure 1.

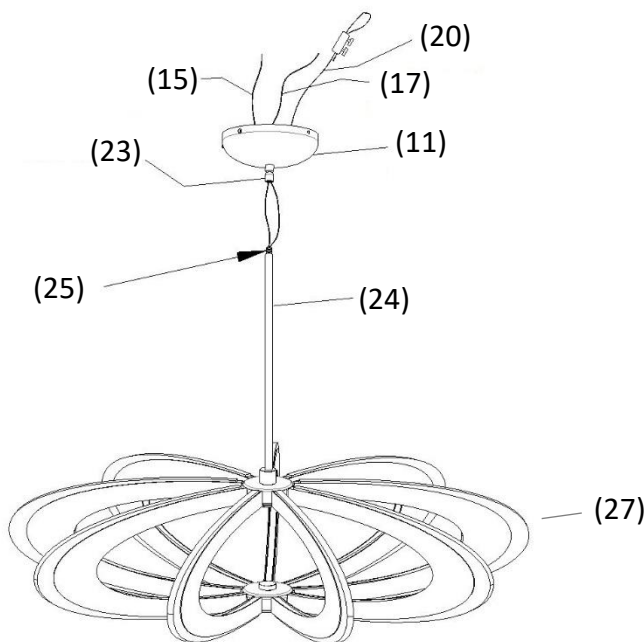
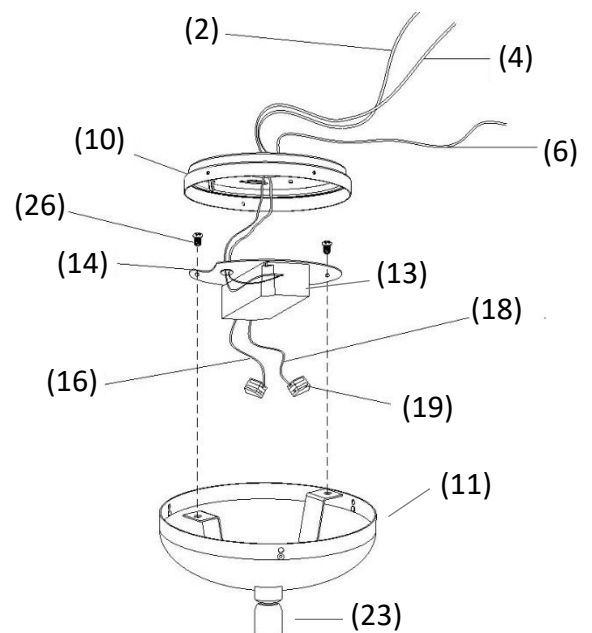


Figure 2.



3. Insert the red+ fixture wire(15) into the quick connectors(19) at the end of driver red+ DC out wire(16); Insert the black- fixture wire(17) into the quick connectors(19) at the end of driver black- DC out wire(18). Attach the wire barrier plate(14) to the canopy cover(11) with the two screws(26).(As shown in Fig.3)

MOUNTING

4. Pull the white and black supply wires(2&4) and the house ground wire(6) out from the outlet box(1). Thread the wires through the large center hole in the ceiling plate(10). Place the ceiling plate(10) over the outlet box(1). Insert the mounting screws(9) through the slots on the ceiling plate(10). Then secure the mounting screws(9) into the outlet box(1) tightly. (As shown in Fig.5)

5. To hang the fixture, use the lifting rope(20) as a support. Then attach the loop(22) on the lifting rope(20) to the hook(21) secured on the ceiling plate(10). (As shown in Fig.4)

Figure 3.

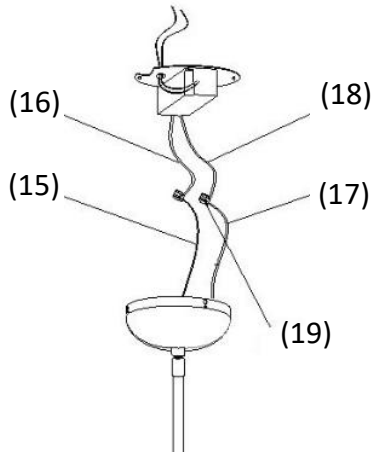
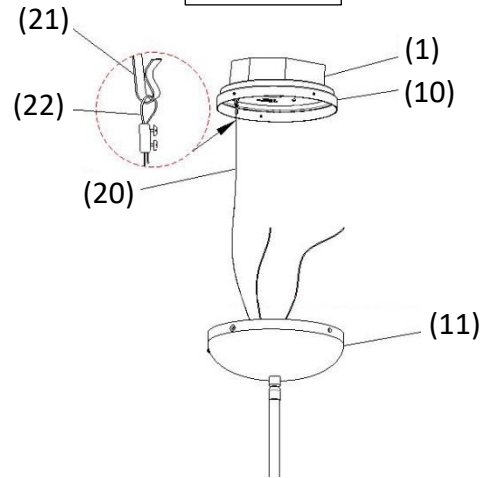


Figure 4.



ELECTRICAL CONNECTIONS

6. Using the wire connectors(8), connect the white supply wire(2) from outlet box to the white fixture wire(3); connect the black supply wire(4) to the black fixture wire(5). And connect the house ground wire(6) to the fixture ground wire(7). Carefully tuck all wires back into the outlet box(1).

FINAL ASSEMBLY

7. Check all the wires after they are connected. To secure the canopy cover(11) to the ceiling plate(10) align the holes on the side of the canopy cover(11) with the holes on the side of the ceiling plate(10). Insert and tighten the three thumbscrews(12) to secure them together.(As shown in Fig.6)

Figure 5.

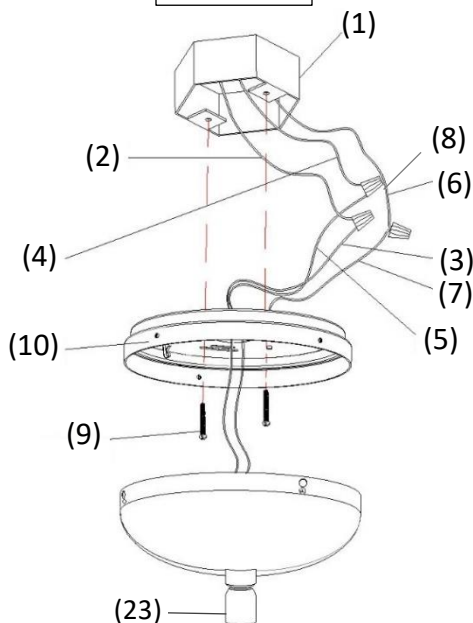
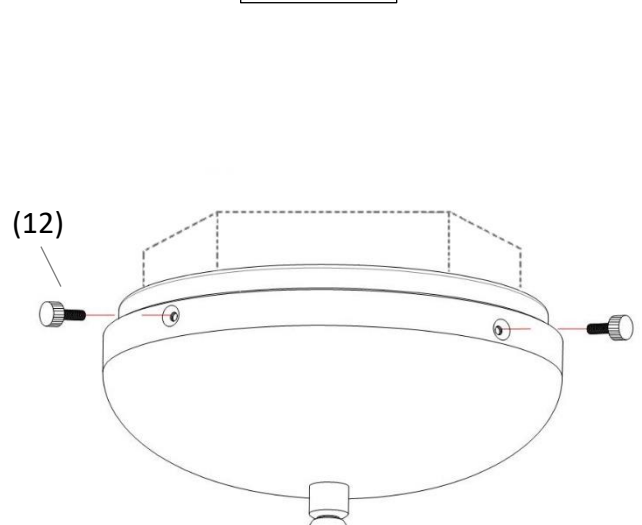


Figure 6.



DIMMING

- Fixture Dimming Type: TRIAC / ELV and 0-10 dimming
- For recommended dimmers see <https://www.blackjacklighting.com/dimming-information>

HARDWARE



Wire Connectors(#8)
[3 Included]



Mounting Screws(#9)
[2 Included]



Thumb screws(#12)
[3 Included]



Quick Connectors(#19)
[2 Included]



Screws(#26)
[2 Included]

- | | |
|---------------------------|--------------------------|
| 1. OUTLET BOX (by others) | 15. RED+ FIXTURE WIRE |
| 2. WHITE SUPPLY WIRE | 16. RED+ DC OUT WIRE |
| 3. WHITE FIXTURE WIRE | 17. BLACK- FIXTURE WIRE |
| 4. BLACK SUPPLY WIRE | 18. BLACK- DC OUT WIRE |
| 5. BLACK FIXTURE WIRE | 19. QUICK CONNECTORS |
| 6. HOUSING GROUND WIRE | 20. LIFTING ROPE |
| 7. FIXTURE GROUND WIRE | 21. HOOK |
| 8. WIRE CONNECTORS | 22. LOOP |
| 9. MOUNTING SCREWS | 23. HANG STRAIGHT SWIVEL |
| 10. CEILING PLATE | 24. STEM |
| 11. CANOPY COVER | 25. 1/8" THREADED NIPPLE |
| 12. THUMBSCREWS | 26. SCREW |
| 13. DRIVER | 27. FIXTURE BODY |
| 14. WIRE BARRIER PLATE | |