

HALOS FLUSH MOUNT

HAL-11F (11")

CAUTION

TURN OFF THE MAIN POWER AT THE CIRCUIT BREAKER BEFORE INSTALLING THE FIXTURE IN ORDER TO PREVENT POSSIBLE SHOCK

IF YOU ARE UNFAMILIAR WITH PROPER ELECTRICAL WIRING CONNECTIONS OBTAIN THE SERVICES OF A QUALIFIED ELECTRICIAN

GENERAL

- Read all instructions carefully for safe operation and installation.
- All electrical connections must be in accordance with local and national electrical code (N.E.C) standards.
- Remove the fixture and the mounting package from the box and make sure that no parts are missing by referencing the illustrations on the installation instruction. Please contact Blackjack Lighting if any parts are missing or damaged.
- This product is suitable for damp locations.

INSTALLATION**PREPARATION**

1. Remove the fixture from its box.
2. Remove the lens(11) from the ceiling plate(10) by loosening the three screws(12).
3. Pull the supply wires(2&4) and the house ground wire(6) out of the outlet box(1). Thread them through the large center hole in the ceiling plate(10). Carefully feed the fixture wires(3,5) and the fixture ground wire(7) into the outlet box(1) on either side of the exposed driver.

ELECTRICAL CONNECTIONS

4. Using the wire connectors(8), connect the white supply wire(2) to the white fixture wire(3); connect the black supply wire(4) to the black fixture wire(5); and connect the house ground wire(6) to the fixture ground wire(7).

MOUNTING

5. Place the ceiling plate(10) over the outlet box(1). Align the exposed portion of the driver on top of the ceiling plate(10) with the opening of the outlet box(1). Insert the mounting screws(9) through the slots in the fixture pan and then tightly secure them into the outlet box(1).
6. On Model HAL-21F-SN, auxiliary mounting holes are provided on the outer perimeter of the ceiling plate(10) for additional support of the fixture, if required.

FINAL ASSEMBLY

7. Secure the lens(11) to the ceiling plate(10) by attaching the three screws(12).
8. Secure the glass(13) to the ceiling plate(10) by attaching the three decorative screws(14).

DIMMING

- Fixture Dimming Type: TRIAC dimmable
- For recommended dimmers see <https://www.blackjacklighting.com/dimming-information>

HARDWARE



Wire Connectors (#8)
[3 Included]



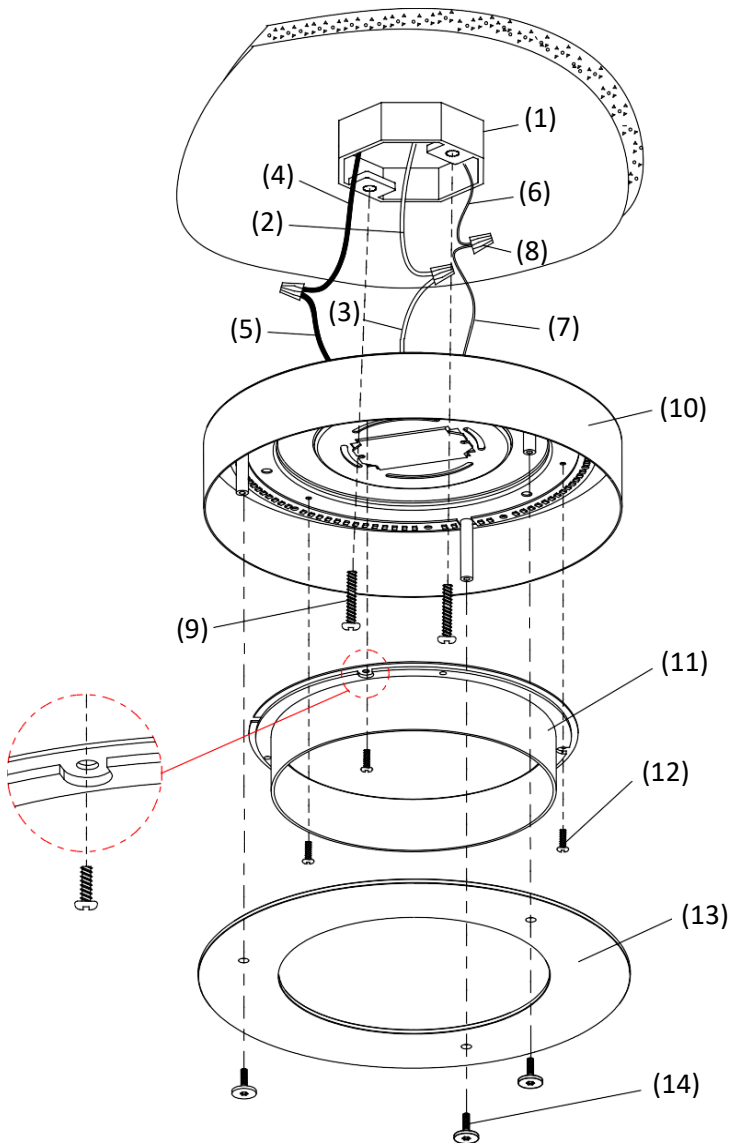
Mounting Screws (#9)
[2 Included]



Screws (#12)
[3 Included]



Decorative Screws (#14)
[3 Included]



1. OUTLET BOX (by others)
2. WHITE SUPPLY WIRE
3. WHITE FIXTURE WIRE
4. BLACK SUPPLY WIRE
5. BLACK FIXTURE WIRE
6. HOUSE GROUND WIRE
7. FIXTURE GROUND WIRE
8. WIRE CONNECTORS
9. MOUNTING SCREWS
10. CEILING PLATE
11. LENS
12. SCREWS
13. GLASS
14. DECORATIVE SCREWS