

**GRID FLUSH MOUNT**

GRD-16F (16")

**CAUTION**

TURN OFF THE MAIN POWER AT THE CIRCUIT BREAKER BEFORE INSTALLING THE FIXTURE IN ORDER TO PREVENT POSSIBLE SHOCK

IF YOU ARE UNFAMILIAR WITH PROPER ELECTRICAL WIRING CONNECTIONS OBTAIN THE SERVICES OF A QUALIFIED ELECTRICIAN

**GENERAL**

- Read all instructions carefully for safe operation and installation.
- All electrical connections must be in accordance with local and national electrical code (N.E.C) standards.
- Remove the fixture and the mounting package from the box and make sure that no parts are missing by referencing the illustrations on the installation instruction. Please contact Blackjack Lighting if any parts are missing or damaged.
- This product is suitable for damp locations.

**INSTALLATION****PREPARATION**

1. Remove the fixture from its box.
2. Remove the ceiling plate(10) from the fixture pan(11) by removing the four screws(12). Retain the screws.
3. Pull the supply wires(2&4) and the house ground wire(6) out of the outlet box(1).

**ELECTRICAL CONNECTIONS**

4. Using the wire connectors(8), connect the white supply wire(2) to the white fixture wire(3); connect the black supply wire(4) to the black fixture wire(5); and connect the house ground wire(6) to the fixture ground wire(7).

**MOUNTING**

5. Carefully tuck all of the wires back into the outlet box(1) and locate the ceiling plate(10) over the outlet box(1). Put the mounting screws(9) through the slots on the ceiling plate(10). Then secure them into the outlet box(1) tightly.

**FINAL ASSEMBLY**

6. Install the fixture pan(11) to the ceiling plate(10) by aligning the holes on the sides of the fixture pan(11) with the holes on the sides of the ceiling plate(10). Then secure it with the four screws(12).

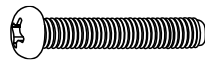
**DIMMING**

- Fixture Dimming Type: TRIAC dimmable
- For recommended dimmers see <https://www.blackjacklighting.com/dimming-information>

## HARDWARE



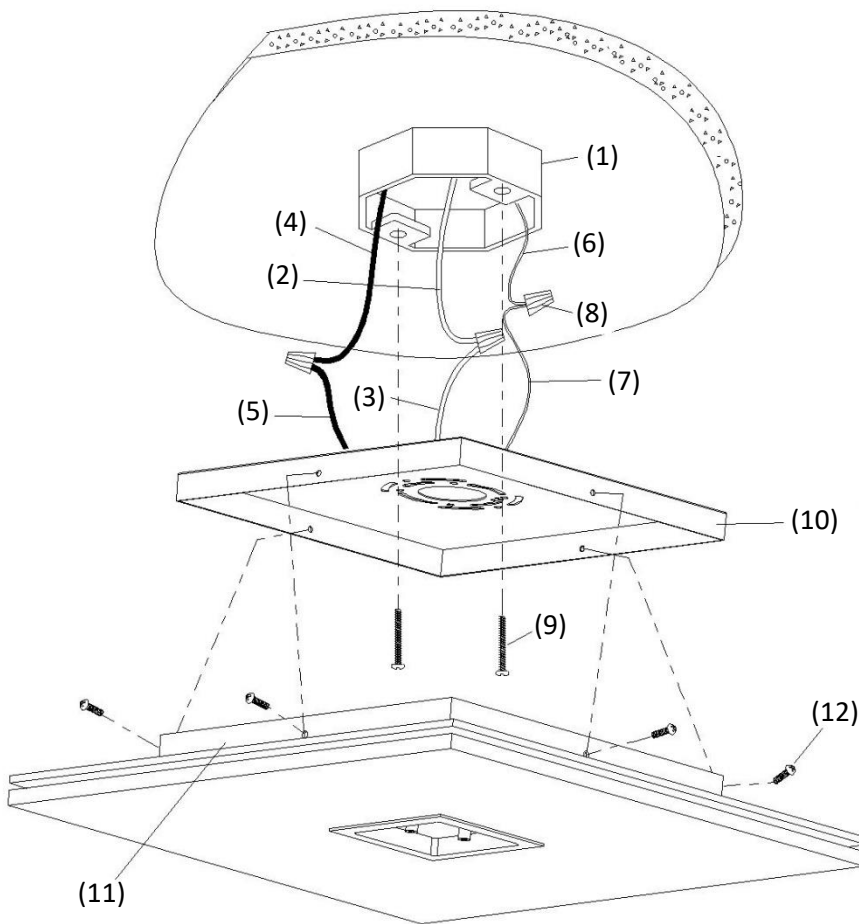
**Wire Connectors (#8)**  
[ 3 Included ]



**Mounting Screws (#9)**  
[ 2 Included ]



**Screws (#12)**  
[ 4 Included ]



1. OUTLET BOX (by others)
2. WHITE SUPPLY WIRE
3. WHITE FIXTURE WIRE
4. BLACK SUPPLY WIRE
5. BLACK FIXTURE WIRE
6. HOUSE GROUND WIRE
7. FIXTURE GROUND WIRE
8. WIRE CONNECTORS
9. MOUNTING SCREWS
10. CEILING PLATE
11. FIXTURE PAN
12. SCREWS