

GEODOME PENDANT (LED)

GDM – 32P (32")

CAUTION

TURN OFF THE MAIN POWER AT THE CIRCUIT BREAKER BEFORE INSTALLING THE FIXTURE IN ORDER TO PREVENT POSSIBLE SHOCK

IF YOU ARE UNFAMILIAR WITH PROPER ELECTRICAL WIRING CONNECTIONS OBTAIN THE SERVICES OF A QUALIFIED ELECTRICIAN

GENERAL

- Read all instructions carefully for safe operation and installation.
- All electrical connections must be in accordance with local and national electrical code (N.E.C) standards.
- Remove the fixture and the mounting package from the box and make sure that no parts are missing by referencing the illustrations on the installation instruction. Please contact Blackjack Lighting if any parts are missing or damaged.
- This product is suitable for damp locations.

INSTALLATION**PREPARATION**

1. Remove the fixture and all the components from the box. In the box you will find the components needed to assemble the shade (12 panels; one with top hole(29), 11 standard panels(31), brackets(30), and screws(28)). In another box (sold separately) you will find the LED light kit(27).
2. We recommend suspending the bottom 5 sided panel(34) 3 feet or more off of the ground (could be supported by a rolled piece of cardboard or a box.) Attach the brackets(30) to the bottom panel(34) using the screws(28) provided.
3. Next attach the first row of side panels(33)(5 total) to the bottom panel(34) using the screws(28).
4. Attach the next set of brackets(30) to the first row of panels(33) using the screws(28). Then attach the second row(32)(5 total) of panels to the first row(33) using the screws(28).
5. Take the fixture off of the cardboard cylinder and place the bottom panel(34) on the bottom (as shown in the diagram).
6. Attach the last set of brackets(30) to the fixture, but leave the final panel(29)(with 5 sided hole in the top) unattached.
7. Remove the LED light kit(27) from its original packaging.
8. Run the black cable(24) up from the stem through the top panel(29) Bend the end of the cable(24) slightly and insert it into the bottom of the joiner(26). Then pull the cord(24) out of the side hole of the joiner(26).
9. Push the rest of the cable(24) through the joiner(26)
10. Screw the joiner(26) into the light kit(27). Securing the light kit to the top panel(29). (As you screw the joiner in keep the loose wire(23) above the joiner).
11. Screw the aircraft cable connector(25) into the top of the joiner(26).
12. Adjust the aircraft cable(23) to the desired hanging height.
13. Wrap any excess aircraft cable(23) around the u-bracket(15) inside the canopy cover(11).
14. Feed the black cable(24) through the canopy(11), and wrap any excess around the u-bracket(15) inside the canopy cover(11).

MOUNTING

15. Remove the supply wires(2&4) and the house supply wire(6) from the outlet box(1). Thread the wires through the large hole in the center of the ceiling plate(10). Align the smaller holes in the ceiling plate(10) with the holes on the outlet box(1). Then insert and tighten the mounting screws(9) to secure the ceiling plate(10).

ELECTRICAL CONNECTIONS

16. Adjust the electrical cable to the proper length and tighten the strain relief screw(22) attached to the canopy cover(11).

17. Using the quick connector(20) at the end of the driver(13), connect the red+ fixture wire(16) to the red+ DC out wire(17), and connect the black- fixture wire(18) to the black- DC out wire(19). (DO NOT CONNECT DIRECTLY INTO 120V)

18. Using the wire connectors(8), connect the white supply wire(2) to the white fixture wire(3); connect the black supply wire(4) to the black fixture wire(5); and connect the house ground wire(6) to the fixture ground wire(7). Connect the yellow wire(36) from the LED kit to the white wire(35) from the CCT switch with a quick connector(20).

19. (optional) For the LED driver connect the grey and purple wires to the 0-10v dimming control.

FINAL ASSEMBLY

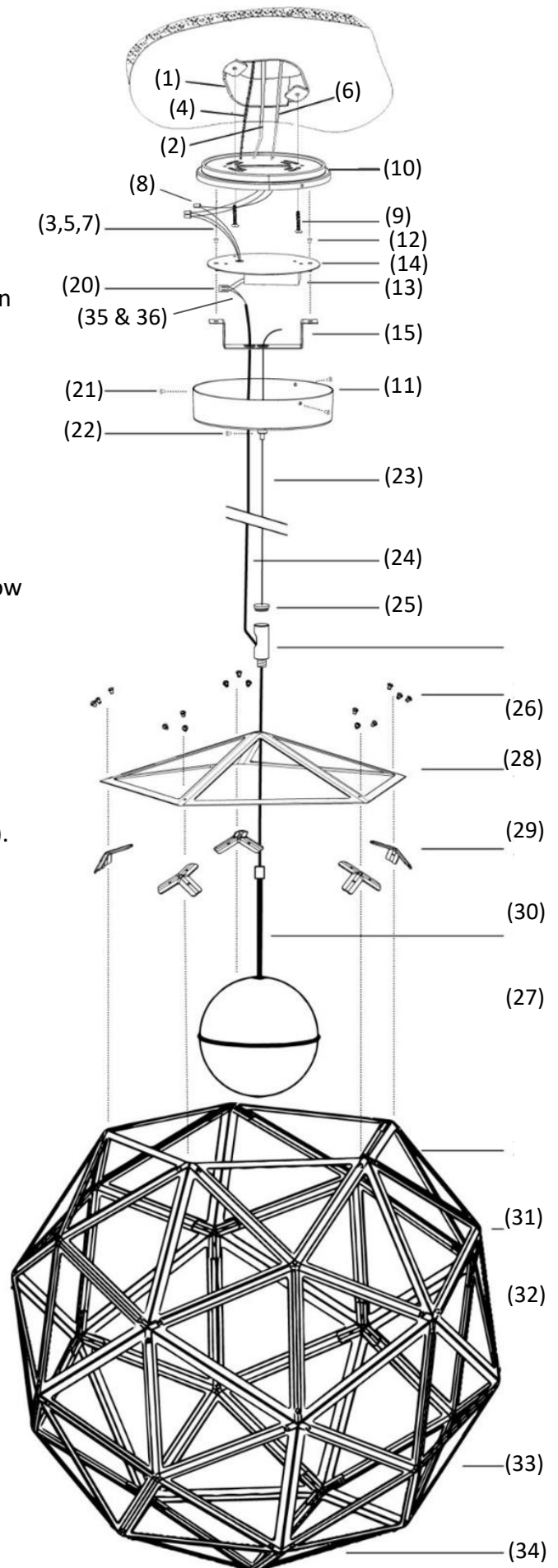
20. Screw the wire barrier plate(14) into the u-bracket(15) (located inside the canopy cover(11)) using the two screws(12).

21. Screw together the final light kit assembly(26-27) with the top panel(29). Then attach the top panel(29) to the standard panels(31) with the brackets(30) and screws(28) provided

22. To secure the canopy cover(11) to the ceiling plate(10) align the holes on the side of the canopy(11) with the holes on the side of the ceiling plate(10). Then insert and tighten the screws(21) to secure them together.

DIMMING

- Fixture Dimming Type: TRIAC, ELV, 0-10V dimmable
- For recommended dimmers see <https://www.blackjacklighting.com/dimming-information>



HARDWARE



Wire Connector (#8)

[3 Included]



Mounting Screw (#9)

[2 Included]



Wire Plate Screws (#12)

[2 Included]



Quick Connector (#20)

[3 Included]



Canopy Screws (#21)

[3 Included]



Screws (#28)

[60 Included]

- | | |
|---------------------------|------------------------------|
| 1. OUTLET BOX (by others) | 19. BLACK- DC OUT WIRE |
| 2. WHITE SUPPLY WIRE | 20. QUICK CONNECTOR |
| 3. WHITE FIXTURE WIRE | 21. CANOPY SCREWS |
| 4. BLACK SUPPLY WIRE | 22. STRAIN RELIEF SCREW |
| 5. BLACK FIXTURE WIRE | 23. AIRCRAFT CABLE |
| 6. HOUSE GROUND WIRE | 24. BLACK CABLE |
| 7. FIXTURE GROUND WIRE | 25. AIRCRAFT CABLE CONNECTOR |
| 8. WIRE CONNECTORS | 26. JOINER |
| 9. MOUNTING SCREWS | 27. LED LIGHT KIT |
| 10. CEILING PLATE | 28. SCREWS |
| 11. CANOPY COVER | 29. TOP PANEL |
| 12. WIRE PLATE SCREWS | 30. BRACKETS |
| 13. DRIVER | 31. STANDARD PANELS |
| 14. WIRE BARRIER PLATE | 32. SECOND ROW PANELS |
| 15. U-BRACKET | 33. FIRST ROW PANELS |
| 16. RED+ FIXTURE WIRE | 34. BOTTOM 5 SIDED PANEL |
| 17. RED+ DC OUT WIRE | 35. WHITE CCT SWITCH WIRE |
| 18. BLACK- FIXTURE WIRE | 36. YELLOW WIRE FROM LED KIT |