

FROST FLUSH MOUNT

FRS-11F (11")

CAUTION

TURN OFF THE MAIN POWER AT THE CIRCUIT BREAKER BEFORE INSTALLING THE FIXTURE IN ORDER TO PREVENT POSSIBLE SHOCK

IF YOU ARE UNFAMILIAR WITH PROPER ELECTRICAL WIRING CONNECTIONS OBTAIN THE SERVICES OF A QUALIFIED ELECTRICIAN

GENERAL

- Read all instructions carefully for safe operation and installation.
- All electrical connections must be in accordance with local and national electrical code (N.E.C) standards.
- Remove the fixture and the mounting package from the box and make sure that no parts are missing by referencing the illustrations on the installation instruction. Please contact Blackjack Lighting if any parts are missing or damaged.
- This product is suitable for damp locations.

INSTALLATION**PREPARATION**

1. Remove the fixture from its box.
2. Remove the glass / decorative plate assembly(13/14) from the fixture pan(11) by loosening the two thumbscrews(15).
3. Remove the ceiling plate(10) from the fixture pan(11) by loosening the screw(12).

MOUNTING

4. Pull the supply wires(2&4) and the house ground wire(6) out of the outlet box(1). Thread them through the large center hole in the ceiling plate(10)
5. Place the ceiling plate(10) over the outlet box(1). Insert the mounting screws(9) through the slots in the back panel, then tightly secure them into the outlet box(1).

ELECTRICAL CONNECTIONS

6. Using the wire connectors(8), connect the white supply wire(2) to the white fixture wire(3); connect the black supply wire(4) to the black fixture wire(5); and connect the house ground wire(6) to the fixture ground wire(7).

FINAL ASSEMBLY

7. Align the hole on the on the fixture pan(11) with the hole on the ceiling plate(10). Secure the fixture pan(11) to the ceiling plate(10) by tightening the screw(12).
8. Attach the glass / decorative plate assembly(13/ 14) to the fixture pan(11) by lining the two holes on the sides of the assembly to the two holes on the sides of the fixture pan(11) and tightening the two thumbscrews(15).

DIMMING

- Fixture Dimming Type: TRIAC dimmable
- For recommended dimmers see <https://www.blackjacklighting.com/dimming-information>

HARDWARE



Wire Connectors (#8)
[3 Included]



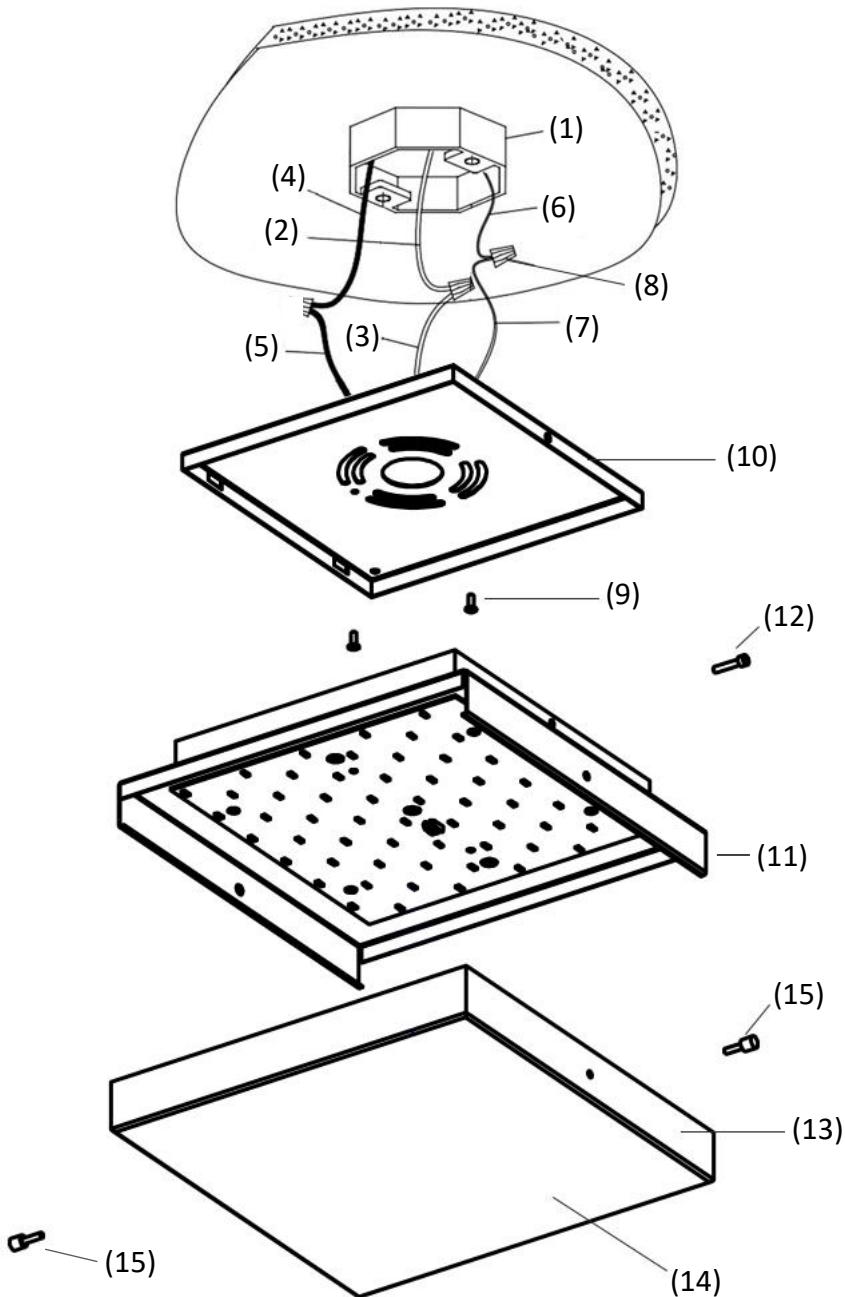
Mounting Screws (#9)
[2 Included]



Screw (#12)
[1 Included]



Thumb screws (#15)
[2 Included]



1. OUTLET BOX (by others)
2. WHITE SUPPLY WIRE
3. WHITE FIXTURE WIRE
4. BLACK SUPPLY WIRE
5. BLACK FIXTURE WIRE
6. HOUSE GROUND WIRE
7. FIXTURE GROUND WIRE
8. WIRE CONNECTORS
9. MOUNTING SCREWS
10. CEILING PLATE
11. FIXTURE PAN
12. SCREW
13. DECORATIVE PLATE
14. GLASS
15. THUMBSCREWS