

FLOAT LINEAR PENDANT

FLT-48P (48")

CAUTION

TURN OFF THE MAIN POWER AT THE CIRCUIT BREAKER BEFORE INSTALLING THE FIXTURE IN ORDER TO PREVENT POSSIBLE SHOCK

IF YOU ARE UNFAMILIAR WITH PROPER ELECTRICAL WIRING CONNECTIONS OBTAIN THE SERVICES OF A QUALIFIED ELECTRICIAN

GENERAL

- Read all instructions carefully for safe operation and installation.
- All electrical connections must be in accordance with local and national electrical code (N.E.C) standards.
- Remove the fixture and the mounting package from the box and make sure that no parts are missing by referencing the illustrations on the installation instruction. Please contact Blackjack Lighting if any parts are missing or damaged.
- This product is suitable for damp locations.

INSTALLATION**PREPARATION**

1. Remove the fixture from its box.
2. Remove the back panel(10) from the canopy cover(11) by loosening the two decorative nuts(14).

MOUNTING

3. Pull the supply wires(2&4) and the house ground wire(6) out of the outlet box(1). Temporarily attach the ceiling plate(10) to the outlet box(1) by using the two mounting screws(9).

ELECTRICAL CONNECTIONS

4. Using the wire connectors(8), connect the white supply wire(2) to the white fixture wire(3); connect the black supply wire(4) to the black fixture wire(5); and connect the house ground wire(6) to the fixture ground wire(7).

FINAL ASSEMBLY

5. Adjust the two suspension cables to the appropriate length by either pushing the individual wire up into the adjustable gripper(16), or by pushing the small barrel upward (located on the bottom of the adjustable gripper). This will release the wire tension and allow the suspended wire to increase in length.
6. Push the canopy cover(11) up through the outward screws(13) and secure it to the ceiling plate(10) with the two decorative nuts(14).
7. Once the canopy(11) is in place, use the gripper(16) to fine tune the fixture suspension cable lengths so that the fixture is level and the two wires are even in length.

DIMMING

- Fixture Dimming Type: TRIAC dimmable
- For recommended dimmers see <https://www.blackjacklighting.com/dimming-information>

HARDWARE



Wire Connectors (#8)
[3 Included]



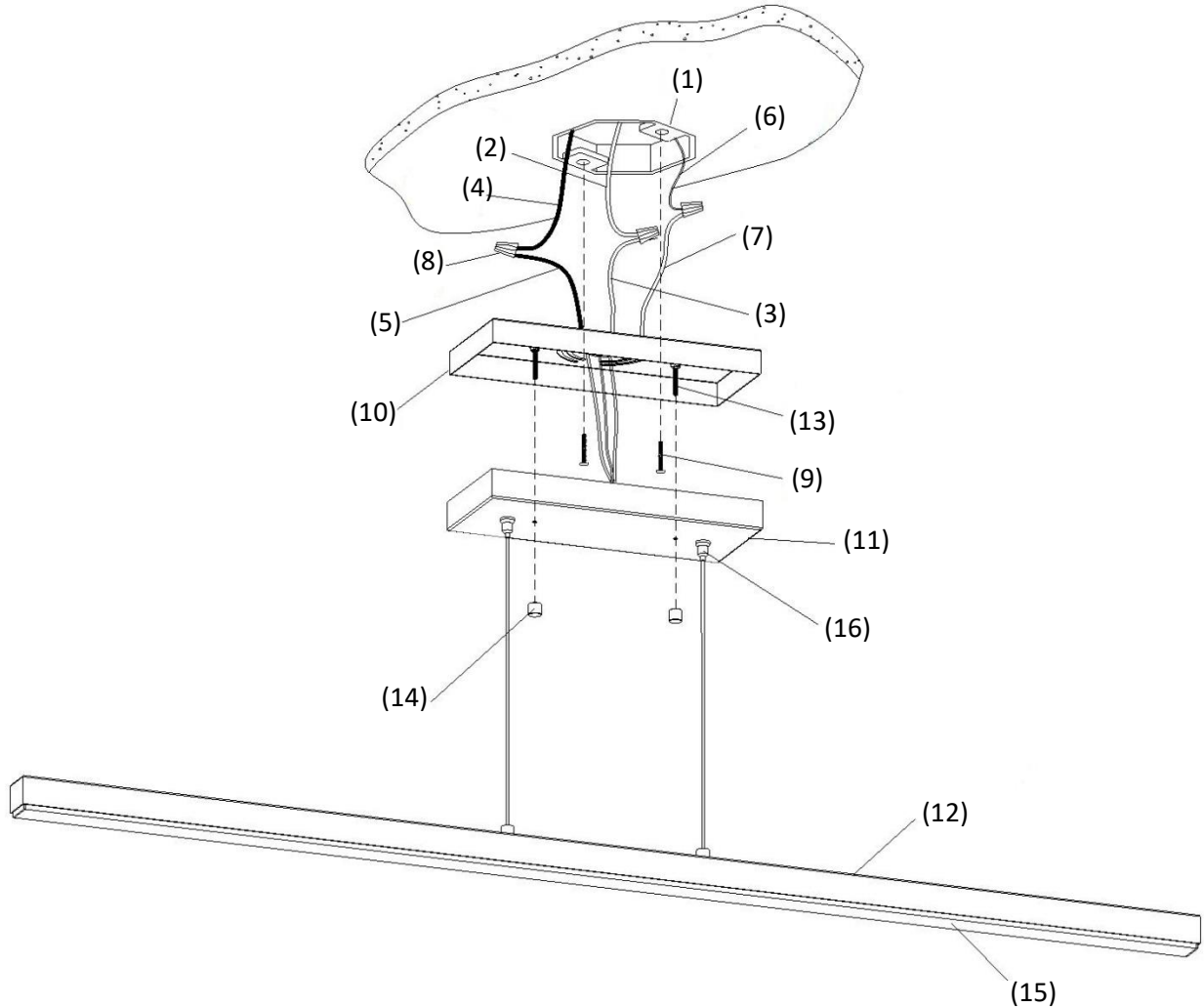
Mounting Screws (#9)
[2 Included]



Outward Screws (#13)
[2 Included]



Decorative Nut (#14)
[2 Included]



1. OUTLET BOX (by others)
2. WHITE SUPPLY WIRE
3. WHITE FIXTURE WIRE
4. BLACK SUPPLY WIRE
5. BLACK FIXTURE WIRE
6. HOUSE GROUND WIRE
7. FIXTURE GROUND WIRE
8. WIRE CONNECTORS

9. MOUNTING SCREWS
10. BACK PANEL
11. CANOPY COVER
12. FIXTURE BODY
13. OUTWARD SCREWS
14. DECORATIVE NUT
15. ACRYLIC LENS
16. GRIPPER