

FLAIR LINEAR PENDANT

FLR-48L (48")

CAUTION

TURN OFF THE MAIN POWER AT THE CIRCUIT BREAKER BEFORE INSTALLING THE FIXTURE IN ORDER TO PREVENT POSSIBLE SHOCK

IF YOU ARE UNFAMILIAR WITH PROPER ELECTRICAL WIRING CONNECTIONS OBTAIN THE SERVICES OF A QUALIFIED ELECTRICIAN

GENERAL

- Read all instructions carefully for safe operation and installation.
- All electrical connections must be in accordance with local and national electrical code (N.E.C) standards.
- Remove the fixture and the mounting package from the box and make sure that no parts are missing by referencing the illustrations on the installation instruction. Please contact Blackjack Lighting if any parts are missing or damaged.
- This product is suitable for damp locations.

INSTALLATION**PREPARATION**

1. Remove the fixture from its box.
2. Remove the ceiling plate(10) from the canopy cover(11) by loosening the two decorative nuts(12).

MOUNTING

3. Pull the supply wires(2&4) and the house ground wire(6) out of the outlet box(1). Temporarily attach ceiling plate(10) to the outlet box(1) by using the two mounting screws(9). Mark the two mounting hole locations (for the anchor screws(15)) on the ceiling above the canopy.
4. Remove the ceiling plate(10) from the ceiling. Drill the two holes using the appropriately sized drill bit. Insert the provided ceiling anchors(16) into the holes. First screw the anchor screws(15) halfway into the ceiling anchors(16), then further attach the ceiling plate(10) to the outlet box(1) by using the two mounting screws(9). Afterward fully tighten the anchor screws(15).

ELECTRICAL CONNECTIONS

5. Using the wire connectors(8), connect the white supply wire(2) to the white fixture wire(3); connect the black supply wire(4) to the black fixture wire(5); and connect the house ground wire(6) to the fixture ground wire(7).

FINAL ASSEMBLY

6. Temporarily mount the canopy cover(11) to the ceiling plate(10). Adjust the two suspension cables to the appropriate length by either pushing the individual wire up into the adjustable gripper(17) or by pushing the small barrel (located on the bottom of the gripper) upward. This will release the wire tension and allow the suspended wire to increase in length.
7. Once the wire is adjusted to the approximate mounting length use the attached twist ties to retain the excess wire into neat loops that will fit inside the canopy cover(11).
8. Secure the canopy cover(11) to the ceiling plate(10) by tightening the two decorative nuts(12).
9. Once the canopy(11) is in place, use the adjustable grippers(17) to fine tune the fixture suspension cable lengths so that the fixture is level and the two wires are even in length.

DIMMING

- Fixture Dimming Type: TRIAC dimmable
- For recommended dimmers see <https://www.blackjacklighting.com/dimming-information>

HARDWARE



Wire Connectors (#8)
[3 Included]



Mounting Screws (#9)
[2 Included]



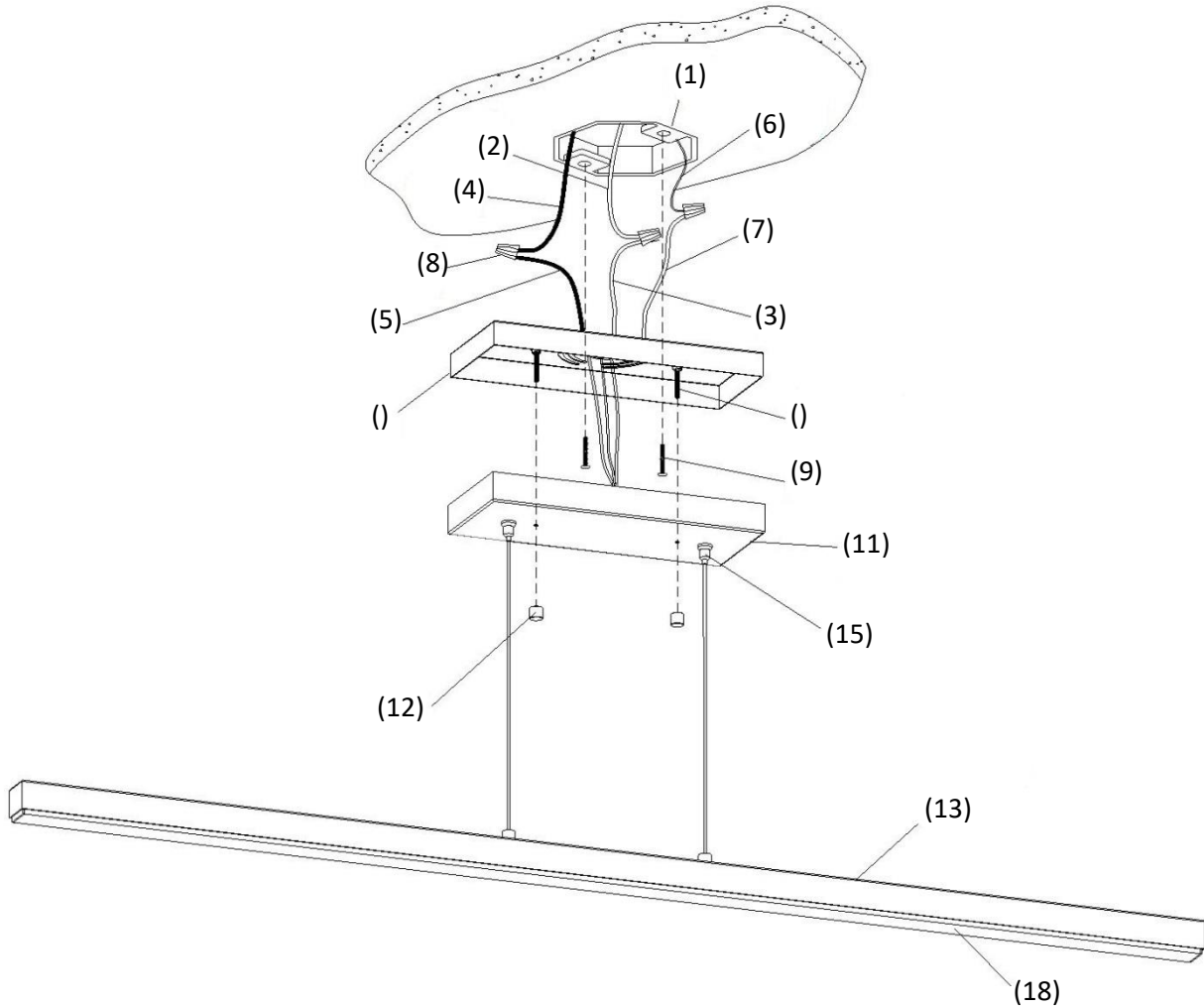
Decorative Nut (#12)
[2 Included]



Anchor Screw (#15)
[2 Included]



Anchor (#16)
[2 Included]



- 1. OUTLET BOX (by others)
- 2. WHITE SUPPLY WIRE
- 3. WHITE FIXTURE WIRE
- 4. BLACK SUPPLY WIRE
- 5. BLACK FIXTURE WIRE
- 6. HOUSE GROUND WIRE
- 7. FIXTURE GROUND WIRE
- 8. WIRE CONNECTORS
- 9. MOUNTING SCREWS

- 10. CEILING PLATE
- 11. CANOPY COVER
- 12. DECORATIVE NUT
- 13. FIXTURE BODY
- 14. OUTWARD SCREW
- 15. ANCHOR SCREW
- 16. ANCHOR
- 17. GRIPPER
- 18. ACRYLIC LENS

INSTALLATION FOR JOINER KIT (OPTIONAL)

HARDWARE



Rubber Stopper (#19)

[2 Included]



Nut (#20)

[2 Included]



Screws (#23)

[2 Included]



Long Screws (#25)

[2 Included]

INSTALLATION

1. Remove the two rubber stoppers(19) from the fixture body(13). Then unscrew the two nuts(20) (located inside the fixture body) and remove the end cap(21). (See Fig.1). Repeat the same steps on the other fixture.
2. Place the U Channel Bracket(22) inside the top of the fixture about halfway. Align the two holes on the fixture, to the two holes on the U Channel Bracket(22) and secure the U Channel Bracket(22) to the fixture with the two screws(23). Follow the same steps on the other fixture.
3. Put the Joiner Bracket(24) between the two fixtures. Insert the two long screws(25) through the holes on the end of one fixture and the holes on the Joiner Bracket(24), then insert the long screws(25) into the holes on the end of the other fixture. Secure the two long screws(25) with the two nuts(20). (See Fig.2)

19. RUBBER STOPPER
20. NUT
21. END CAP
22. U CHANNEL BRACKET
23. SCREWS
24. JOINER BRACKET
25. LONG SCREWS

