

FACETS CHANDELIER

FAC – 24P (24")

CAUTION

TURN OFF THE MAIN POWER AT THE CIRCUIT BREAKER BEFORE INSTALLING THE FIXTURE IN ORDER TO PREVENT POSSIBLE SHOCK

IF YOU ARE UNFAMILIAR WITH PROPER ELECTRICAL WIRING CONNECTIONS OBTAIN THE SERVICES OF A QUALIFIED ELECTRICIAN

GENERAL

- Read all instructions carefully for safe operation and installation.
- All electrical connections must be in accordance with local and national electrical code (N.E.C) standards.
- Remove the fixture and the mounting package from the box and make sure that no parts are missing by referencing the illustrations on the installation instruction. Please contact Blackjack Lighting if any parts are missing or damaged.
- This product is suitable for damp locations.

INSTALLATION

PREPARATION

1. Remove the fixture and all the parts from the box. Fixture parts Included: one 6" stem and three 12" stems, one fixture body with 18 arms(29) and 27 acrylic light guides(28). Each fixture provides a 12 foot wire length with 42" of stem (three 12" stems and a 6" stem). The fixture can accept up to 8 feet of additional stems, for a maximum stem length of 11'6" (additional 24" stems can be ordered separately from Blackjack Lighting if required).
2. Select the suitable size and number of stems and connect them to the desired length you need to hang the fixture. Secure the stems to the threaded hang-straight coupler(19) attached to the canopy cover(11). Pull the fixture wire through the stems and if necessary cut the excess wire.
3. Use the supplied Allen wrench(18) to remove the 18 set screws(17) holding the decorative end covers(30) to each arm(29). Remove all 18 end covers(30). When installing the light guides(28) into the arms(29) of the fixture, place the fixture body on an elevated surface 3 feet or more off of the ground (for example: a cardboard tube or box) so that the light guides(28) can be easily installed in the correct positions.
4. Insert the tallest light guide first on to the shortest arm. Next install the shortest light guide onto the same arm. For the shorter arm install the second tallest light guide (As shown in Fig.2). Repeat for the rest of the arms. (To keep the fixture balanced while installing the light guides(28), install lightguides(28) into the arms opposite from each other.)
5. Replace the decorative end plates(30) onto the arms(29) and tighten the set screws(17) with the Allen wrench(18) so the end plates(30) will be held securely at the end of each arm. Take the remaining set screws(17) from the hardware bag and insert and tighten them until they are slightly raised above the surface of the arm. Each set screw is positioned to create an external stop for the acrylic light guide. When placed correctly, each light guide should be centered over an LED light source inside the arm.
6. To remove the fixture canopy cover(11) from the ceiling plate(10) loosen the three side thumbscrews(12). Then remove the wiring barrier plate(14) from the ceiling plate(10) by loosening two screws(16).(As shown in Fig.3)

Figure 1.

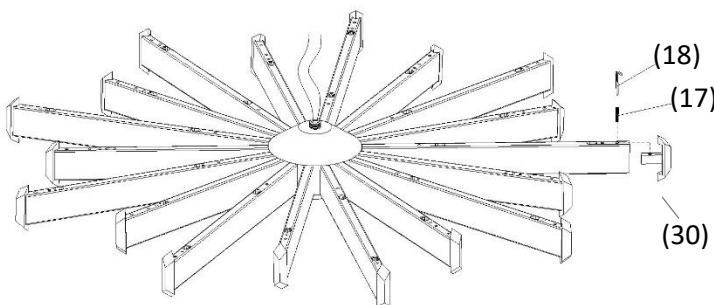
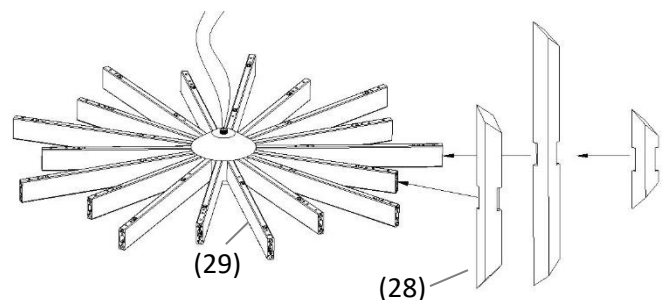


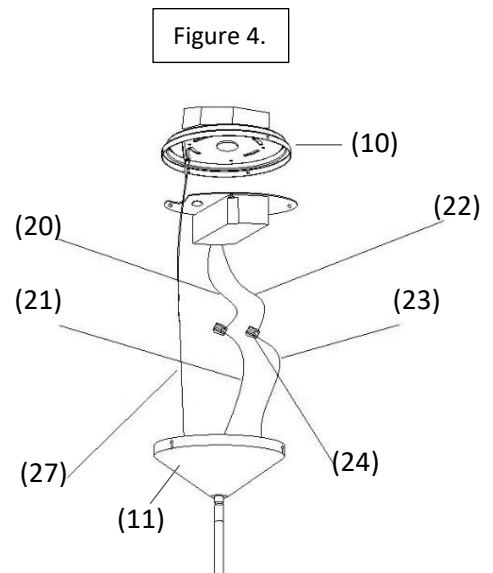
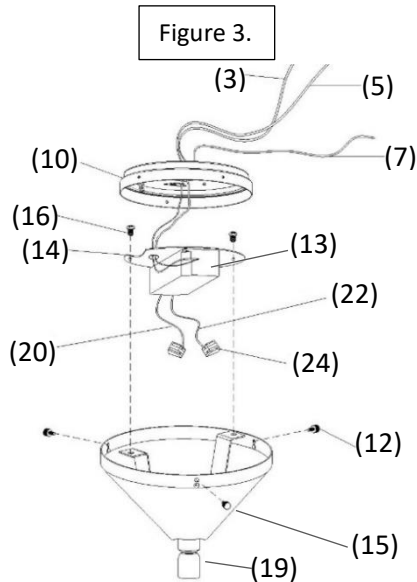
Figure 2.



ELECTRICAL CONNECTIONS

7. Insert the red+ fixture wire(21) into the quick connectors(24) at the end of driver red+ DC out wire(20); Insert the black- fixture wire(23) into the quick connectors(24) at the end of driver black- DC out wire(22).(Shown in Fig. 4)
IMPORTANT – DO NOT CONNECT THE BLACK(-) OR THE RED(+) LOW VOLTAGE WIRES TO THE BLACK OR WHITE LINE VOLTAGE SUPPLY WIRES. THIS WILL RESULT IN SEVERE DAMAGE TO THE LIGHTING FIXTURE. Then attach the wire barrier plate(14) to the u-bracket(15)(located in the canopy cover(11)) using the two screws(16).

8. Pull the white and black supply wires(2&4) and the house ground wire(6) out from the outlet box(1). Thread the wires through the large center hole in the ceiling plate(10). Using the wire connectors(8), connect the white supply wire(2) to the white fixture wire(3); connect the black supply wire(4) to the black fixture wire(5); and connect the house ground wire(6) to the fixture ground wire(7). Carefully tuck all the wires back into the outlet box(1). (As shown in Fig.6)



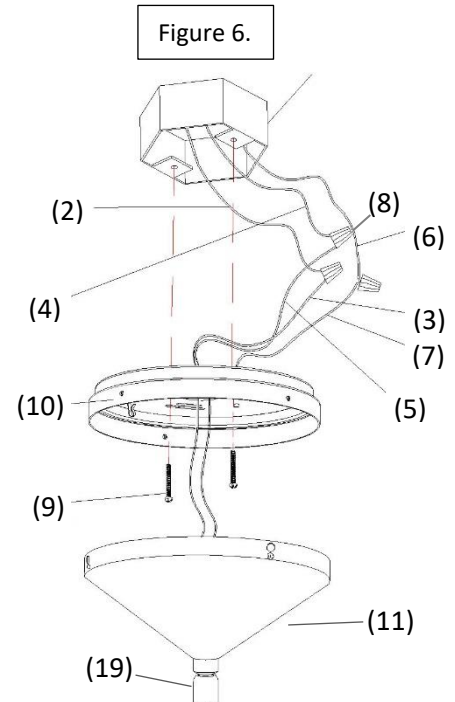
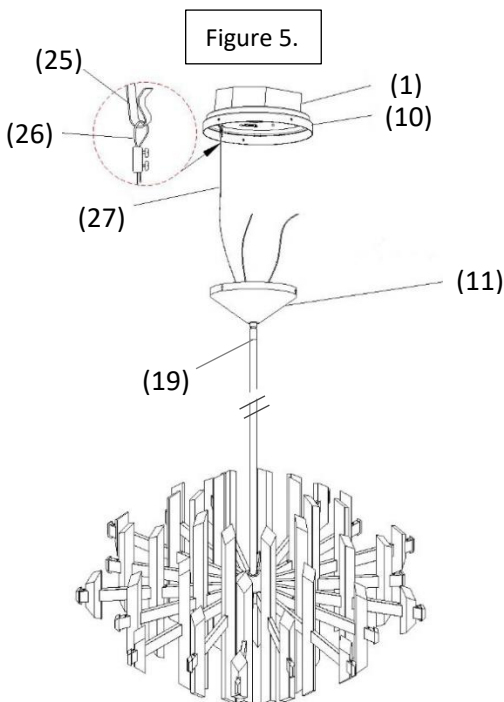
MOUNTING

9. Place the ceiling plate(10) over the outlet box(1). Insert the mounting screws(9) through the slots on the ceiling plate(10). Then secure them into the outlet box(1) tightly.

10. To hang the fixture, use the lifting rope(27) as a support. Attach the loop(26) from the lifting rope(27) to the hook(25) secured on the ceiling plate(10). (As shown in Fig.5)

FINAL ASSEMBLY

11. Align the holes on the side of the canopy cover(11) with the holes on the side of the ceiling plate(10). Then insert and tighten the three thumbscrews(12) to secure them together.



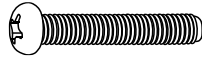
DIMMING

- Fixture Dimming Type: TRIAC / ELV or 0-10V dimmable.
- For recommended dimmers see <https://www.blackjacklighting.com/dimming-information>

HARDWARE



Wire Connector(#8)
[3 Included]



Mounting Screws(#9)
[2 Included]



Thumbscrews(#12)
[3 Included]



Screws(#16)
[2 Included]



Set Screws(#17)
[45 Included]



Allen Wrench(#18)
[1 Included]



Quick Connector(#24)
[2 Included]

- | | |
|---------------------------|---------------------------|
| 1. OUTLET BOX (by Others) | 16. SCREWS |
| 2. WHITE SUPPLY WIRE | 17. SET SCREWS |
| 3. WHITE FIXTURE WIRE | 18. ALLEN WRENCH |
| 4. BLACK SUPPLY WIRE | 19. HANG-STRAIGHT COUPLER |
| 5. BLACK FIXTURE WIRE | 20. RED+ DC OUT WIRE |
| 6. HOUSE GROUND WIRE | 21. RED+ FIXTURE WIRE |
| 7. FIXTURE GROUND WIRE | 22. BLACK- DC OUT |
| 8. WIRE CONNECTORS | 23. BLACK- FIXTURE WIRE |
| 9. MOUNTING SCREWS | 24. QUICK CONNECTORS |
| 10. CEILING PLATE | 25. HOOK |
| 11. CANOPY COVER | 26. LOOP |
| 12. THUMBSCREWS | 27. LIFTING ROPE |
| 13. DRIVER | 28. ACRYLIC LIGHT GUIDE |
| 14. WIRE BARRIER PLATE | 29. FIXTURE ARM |
| 15. U-BRACKET | 30. ARM END COVERS |