

EQUIS VANITY

EQS-28V (28")

CAUTION

TURN OFF THE MAIN POWER AT THE CIRCUIT BREAKER BEFORE INSTALLING THE FIXTURE IN ORDER TO PREVENT POSSIBLE SHOCK

IF YOU ARE UNFAMILIAR WITH PROPER ELECTRICAL WIRING CONNECTIONS OBTAIN THE SERVICES OF A QUALIFIED ELECTRICIAN

GENERAL

- Read all instructions carefully for safe operation and installation.
- All electrical connections must be in accordance with local and national electrical code (N.E.C) standards.
- Remove the fixture and the mounting package from the box and make sure that no parts are missing by referencing the illustrations on the installation instruction. Please contact Blackjack Lighting if any parts are missing or damaged.
- This product is suitable for damp locations.

INSTALLATION**PREPARATION**

1. Remove the fixture from its box.
2. Remove the decorative plate/ acrylic lens assembly(15/16) from the fixture pan(11) by loosening four rear thumb nuts(14). Retain the thumb nuts.
3. Remove the back panel(10) from the fixture pan(11) by loosening four screws(12)

MOUNTING

4. Pull the supply wires(2&4) and the house ground wire(6) out of the outlet box(1) and install cross bar(18) to the outlet box(1) by using two mounting screws(9).
5. Place the back panel(10) over the cross bar(18) through the two outward screws(17) and secure it by tightening the two hex nuts(13).

ELECTRICAL CONNECTIONS

6. Using the wire connectors(8), connect the white supply wire(2) to the white fixture wire(3); connect the black supply wire(4) to the black fixture wire(5); and connect the house ground wire(6) to the fixture ground wire(7).
7. If present, connect low voltage dimming control wires from a compatible 0-10V wall dimmer to the Purple and Grey wires coming from the driver.

FINAL ASSEMBLY

8. Align the four holes on the fixture pan(11) with four screws(12) and securely tighten the fixture pan(11) to the back panel(10)
9. Assemble decorative plate/ acrylic lens assembly(15/16), to fixture pan(11) by joining parts together and tightening four rear thumb nuts(14)

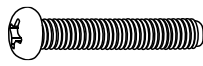
DIMMING

- Fixture Dimming Type: TRIAC dimmable
- For recommended dimmers see <https://www.blackjacklighting.com/dimming-information>

HARDWARE



Wire Connectors (#8)
[3 Included]



Mounting Screws (#9)
[2 Included]



Screws (#12)
[4 Included]



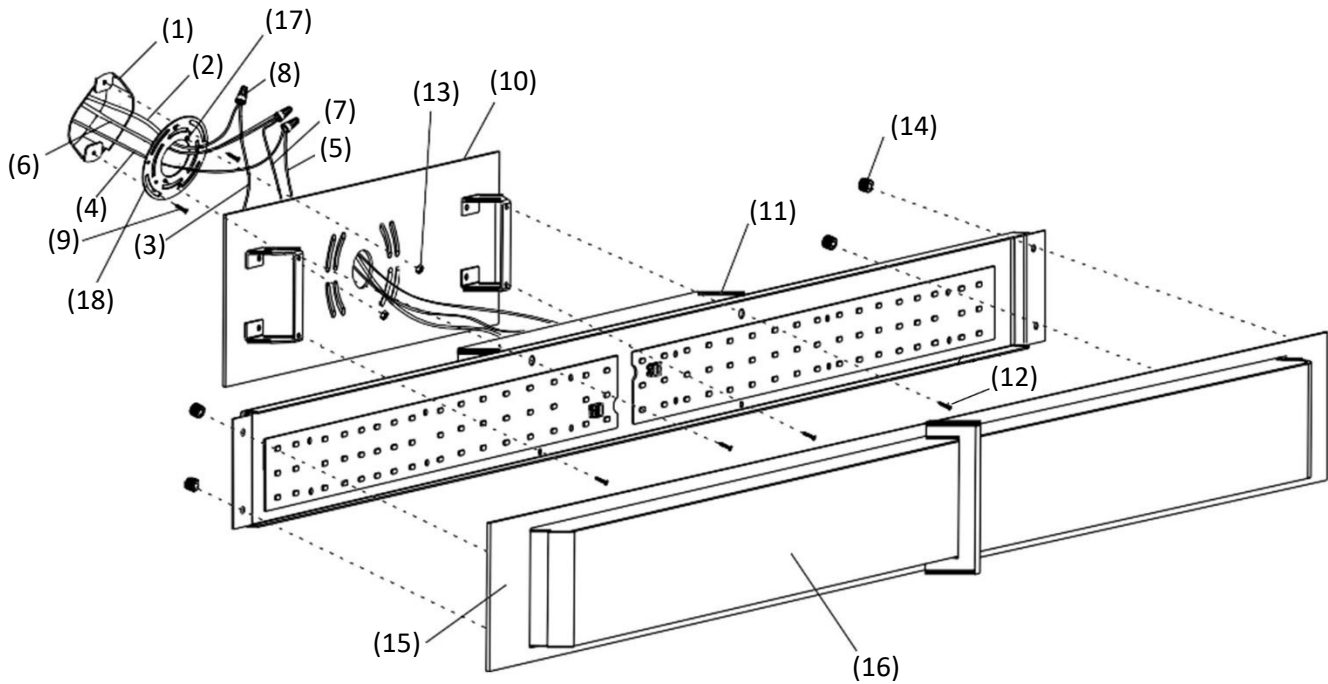
Hex Nut (#13)
[2 Included]



Decorative Nut (#14)
[4 Included]



Outward Screw (#17)
[2 Included]



- | | |
|---------------------------|----------------------|
| 1. OUTLET BOX (by others) | 10. BACK PANEL |
| 2. WHITE SUPPLY WIRE | 11. FIXTURE PAN |
| 3. WHITE FIXTURE WIRE | 12. SCREWS |
| 4. BLACK SUPPLY WIRE | 13. HEX NUT |
| 5. BLACK FIXTURE WIRE | 14. NUT |
| 6. HOUSE GROUND WIRE | 15. DECORATIVE PLATE |
| 7. FIXTURE GROUND WIRE | 16. ACRYLIC LENS |
| 8. WIRE CONNECTORS | 17. OUTWARD SCREW |
| 9. MOUNTING SCREWS | 18. CROSS BAR |