

EQUIS FLUSH MOUNT

EQS-15F (15")

CAUTION

TURN OFF THE MAIN POWER AT THE CIRCUIT BREAKER BEFORE INSTALLING THE FIXTURE IN ORDER TO PREVENT POSSIBLE SHOCK

IF YOU ARE UNFAMILIAR WITH PROPER ELECTRICAL WIRING CONNECTIONS OBTAIN THE SERVICES OF A QUALIFIED ELECTRICIAN

GENERAL

- Read all instructions carefully for safe operation and installation.
- All electrical connections must be in accordance with local and national electrical code (N.E.C) standards.
- Remove the fixture and the mounting package from the box and make sure that no parts are missing by referencing the illustrations on the installation instruction. Please contact Blackjack Lighting if any parts are missing or damaged.
- This product is suitable for damp locations.

INSTALLATION**PREPARATION**

1. Remove the fixture from its box.
2. Remove the acrylic lens / decorative plate assembly (15/16) from the fixture pan(11) by loosening the two screws(12). Retain the screws.
3. Remove the ceiling plate(10) from the fixture pan(11)

MOUNTING

4. Pull the supply wires(2&4) and the house ground wire(6) out of the outlet box(1). Thread them through the large center hole in the ceiling plate(10)
5. Place the ceiling plate(10) over the outlet box(1). Then insert the mounting screws(9) through the slots in the ceiling plate(10) and tightly secure them into the outlet box(1).

ELECTRICAL CONNECTIONS

6. Using the wire connectors(8), connect the white supply wire(2) to the white fixture wire(3); connect the black supply wire(4) to the black fixture wire(5); and connect the house ground wire(6) to the fixture ground wire(7).

FINAL ASSEMBLY

7. Align the two holes on the fixture pan(11) with the two outward screws(13) coming from the back panel(10). Secure the fixture pan(11) to the ceiling by tightening the two thumb nuts(14); be careful not to hit the LEDs when tightening two thumb nuts(14).
8. Before assembling acrylic lens / decorative plate assembly (15/16), insert both screws(12) into the threaded raised tabs on the decorative plate(16). Thread the screws(12) into the tabs so the ends of the screws do not extend beyond the back of the tabs.
9. For wall mounted applications, we recommend applying the self-adhesive foam tape(17) to the side of the backplate(10) between the two rectangular slots. For ceiling mounted applications, no foam tape is required.
10. Insert the two tabs from the inside of the decorative plate(16) into the two rectangular slots on the side of the fixture pan(11). (Please see fig.2)
11. Rotate the other side of the decorative plate(16) up until the screws(12) are aligned with the mounting holes in the fixture pan(11). Now thread the two screws(12) completely into the fixture pan(11).

DIMMING

- Fixture Dimming Type: TRIAC dimmable
- For recommended dimmers see <https://www.blackjacklighting.com/dimming-information>

HARDWARE



Wire Connectors (#8)
[3 Included]



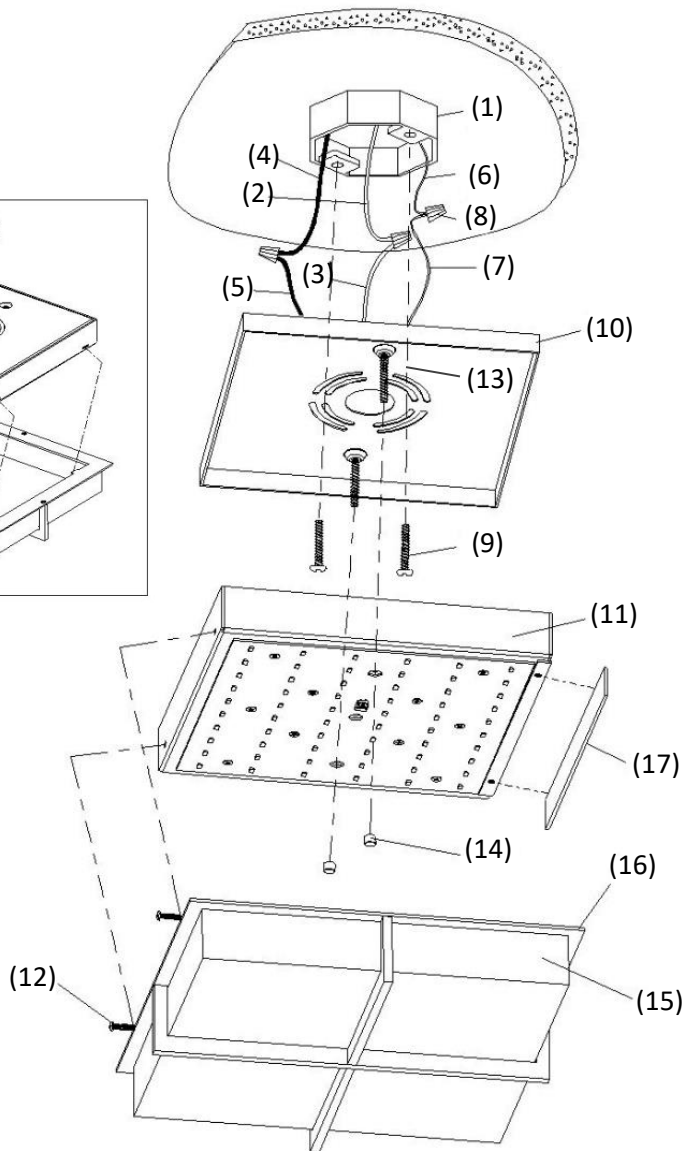
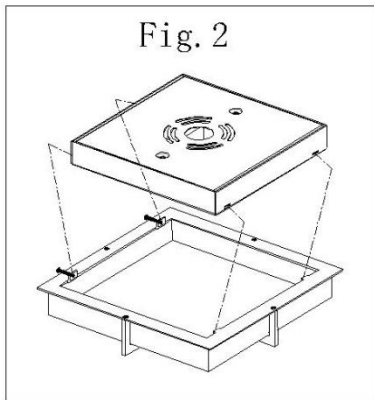
Mounting Screws (#9)
[2 Included]



Screws (#12)
[2 Included]



Nut (#14)
[2 Included]



1. OUTLET BOX (by others)
2. WHITE SUPPLY WIRE
3. WHITE FIXTURE WIRE
4. BLACK SUPPLY WIRE
5. BLACK FIXTURE WIRE
6. HOUSE GROUND WIRE
7. FIXTURE GROUND WIRE
8. WIRE CONNECTORS
9. MOUNTING SCREWS
10. CEILING PLATE
11. FIXTURE PAN
12. SCREWS
13. OUTWARD SCREW
14. NUT
15. ACRYLIC LENS
16. DECORATIVE PLATE
17. SELF ADHESIVE FOAM TAPE