

**DOT CHANDELIER**

**DOT-36C (36")**

**CAUTION**

TURN OFF THE MAIN POWER AT THE CIRCUIT BREAKER BEFORE INSTALLING THE FIXTURE IN ORDER TO PREVENT POSSIBLE SHOCK

IF YOU ARE UNFAMILIAR WITH PROPER ELECTRICAL WIRING CONNECTIONS OBTAIN THE SERVICES OF A QUALIFIED ELECTRICIAN

**GENERAL**

- Read all instructions carefully for safe operation and installation.
- All electrical connections must be in accordance with local and national electrical code (N.E.C) standards.
- Remove the fixture and the mounting package from the box and make sure that no parts are missing by referencing the illustrations on the installation instruction. Please contact Blackjack Lighting if any parts are missing or damaged.
- This product is suitable for damp locations.

**INSTALLATION**

**PREPARATION**

1. Remove the fixture from its box. You will see one 6" stem and three 12" stems(16). (Additional 24" stems can be ordered for this fixture). Each fixture provides a 12 foot wire length to accept up to 4 additional stem sections (8 feet) for a maximum stem length of 11'6". Select the suitable size of stems and connect them to the desired length needed to hang the fixture.
2. Secure the stems to the threaded hang-straight(14) attached to the canopy cover(11). Pull the fixture wire through the stems(16) and if necessary cut the excess wire.
3. Insert the red+ fixture wire(13) into the quick connector(23) that is attached to the end of the driver red+ DC out wire(22); Insert the black- fixture wire(12) into the quick connector(23) that is attached to the end of the driver black- DC out wire(21). (Shown in Fig.3) **IMPORTANT – DO NOT CONNECT THE BLACK(-) OR RED(+) LOW VOLTAGE TO THE BLACK OR WHITE LINE VOLTAGE SUPPLY WIRE. THIS WILL RESULT IN SEVERE DAMAGE TO THE LIGHTING FIXTURE.**
4. Carefully tuck the red+ and black- wires(12-13,21-22) into the canopy cover(11). Then attach the wire barrier plate(19) to the u-bracket(15) located in the canopy cover(11) with the two screws(20).

Figure 1.

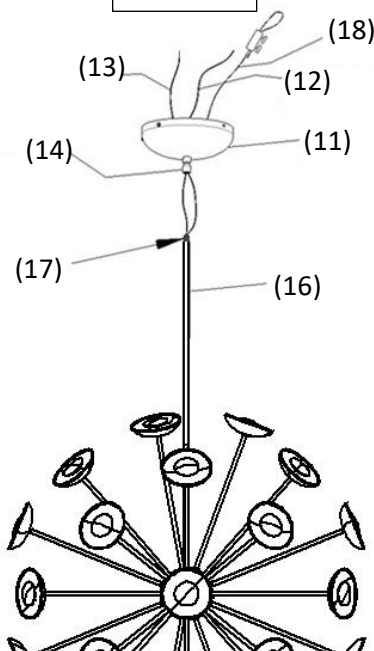
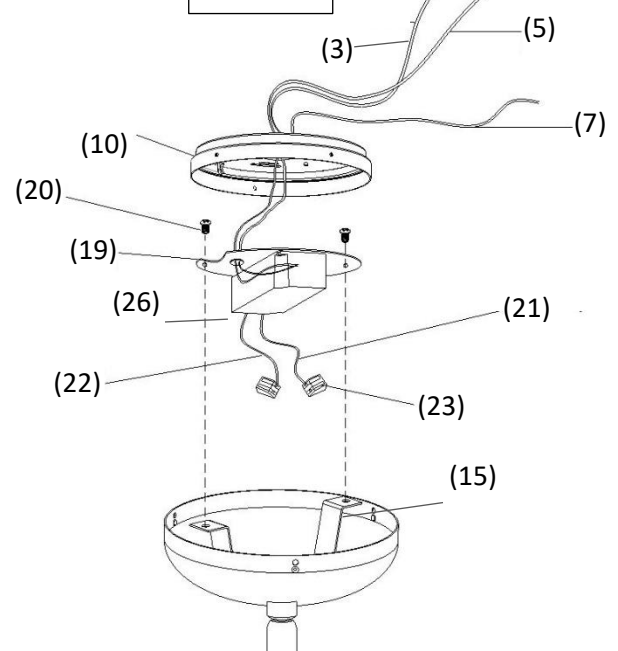


Figure 2.



## MOUNTING

5. Place the ceiling plate(10) over the outlet box(1).Then insert the mounting screws(9) through the slots on the ceiling plate(10). Secure the mounting screws(9) into the outlet box(1) tightly. (As shown in Fig.5)

6. To hang the fixture, use the lifting rope(18) as a support. Attach the lifting rope loop(25) to the hook(24) secured on the ceiling plate(10). (As shown in Fig.4)

## ELECTRICAL CONNECTIONS

7. Pull the white and black supply wires(2&4) and the house ground wire(6) out from the outlet box(1). Using the wire connectors(8), connect the white supply wire(2) from outlet box(1) to the white fixture wire(3); connect the black supply wire(4) from outlet box(1) to the black fixture wire(5); and connect the house ground wire(6) to the ground wire(7). Carefully tuck all of the wires back into the outlet box(1).

Figure 3.

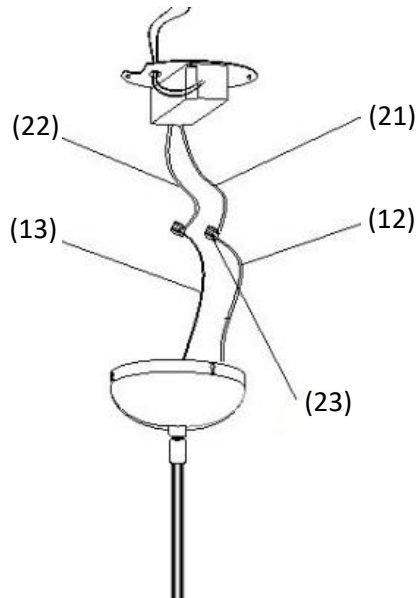
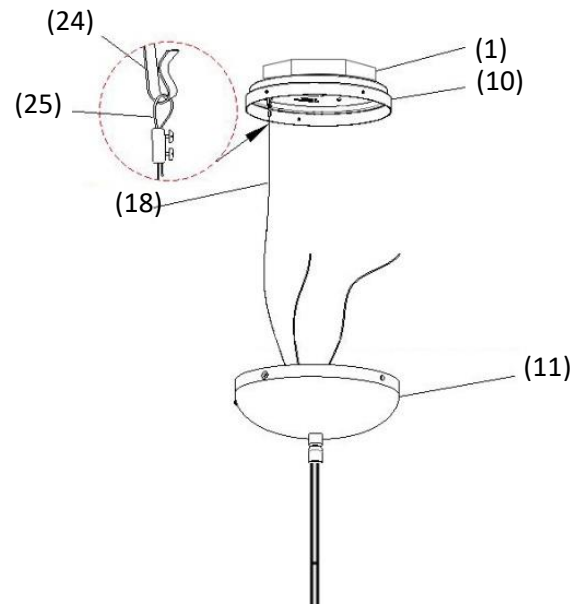


Figure 4.



## FINAL ASSEMBLY

8. Check all of the wires after they are connected. Then install the pendant fixture onto the ceiling plate(10). Secure the canopy cover(11) to the ceiling plate(10) by using the 3 thumbscrews(26). (As shown in Fig.6)

Figure 5.

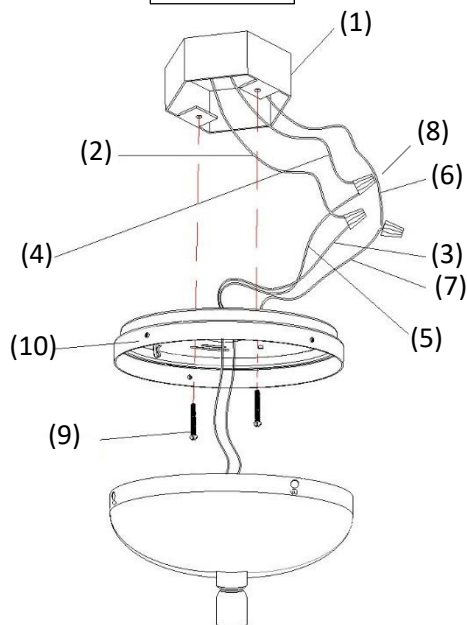
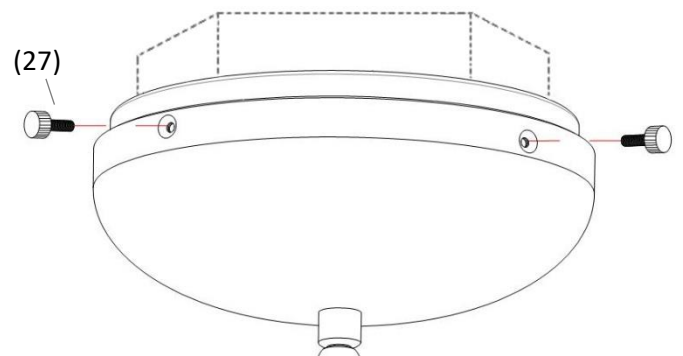


Figure 6.



## DIMMING

- Fixture Dimming Type: TRIAC dimmable
- For recommended dimmers see <https://www.blackjacklighting.com/dimming-information>

## HARDWARE



**Wire Connector (#8)**  
[ 3 Included ]



**Mounting Screws (#9)**  
[ 2 Included ]



**Screw (#20)**  
[ 2 Included ]



**Quick Connector (#23)**  
[ 2 Included ]



**Thumbscrew (#27)**  
[ 3 Included ]

- |                            |                          |
|----------------------------|--------------------------|
| 1. OUTLET BOX ( By others) | 15. U-BRACKET            |
| 2. WHITE SUPPLY WIRE       | 16. STEM                 |
| 3. WHITE FIXTURE WIRE      | 17. 1/8" THREADED NIPPLE |
| 4. BLACK SUPPLY WIRE       | 18. LIFTING ROPE         |
| 5. BLACK FIXTURE WIRE      | 19. WIRING BARRIER PLATE |
| 6. HOUSE GROUND WIRE       | 20. SCREW                |
| 7. FIXTURE GROUND WIRE     | 21. BLACK- DC OUT        |
| 8. WIRE CONNECTORS         | 22. RED+ DC OUT          |
| 9. MOUNTING SCREWS         | 23. QUICK CONNECTOR      |
| 10. CEILING PLATE          | 24. HOOK                 |
| 11. CANOPY COVER           | 25. LOOP                 |
| 12. BLACK- FIXTURE WIRE    | 26. DRIVER               |
| 13. RED+ FIXTURE WIRE      | 27. THUMBSCREWS          |
| 14. HANG-STRAIGHT SWIVEL   |                          |